

HIKVISION

TURBO
YOUR ANALOG
1080P



TURBO HD
ANALOG SOLUTION



Think HD? Now Think ANALOG!

Present trends in the video surveillance industry indicate an increasing number of analog CCTV systems migrating to IP surveillance. Even though analog systems stand out to be more user-friendly with ease-to-use nature, IP networked video security solutions have become increasingly popular as they can offer HD (720P / 1080P) image quality to its users.

Based on HDTVI (High Definition Transfer Video Interface) technology, Hikvision has developed revolutionary **Turbo HD Analog solution**. It enables reliable long-distance analog HD video transmission over-coaxial cable. Specially designed for analog users who want a high-definition surveillance system, they can now enjoy HD without upgrading to IP or even replacing their existing cabling structure. Most importantly, Turbo HD Analog solution inherits the same installing means of conventional analog solutions, which is of great convenience and ease to all its users.

Real-time HD1080P/720P

Tribrid System

3rd Party Compatibility

500m Transmission

Real-time HD Video Output at HD1080P / HD720P

The Turbo HD Analog solution offers real-time HD video output at HD1080P / HD720P with maximum frame rate of 60fps. Analog users can now enjoy enhanced HD video quality images.



Conventional Analog Camera

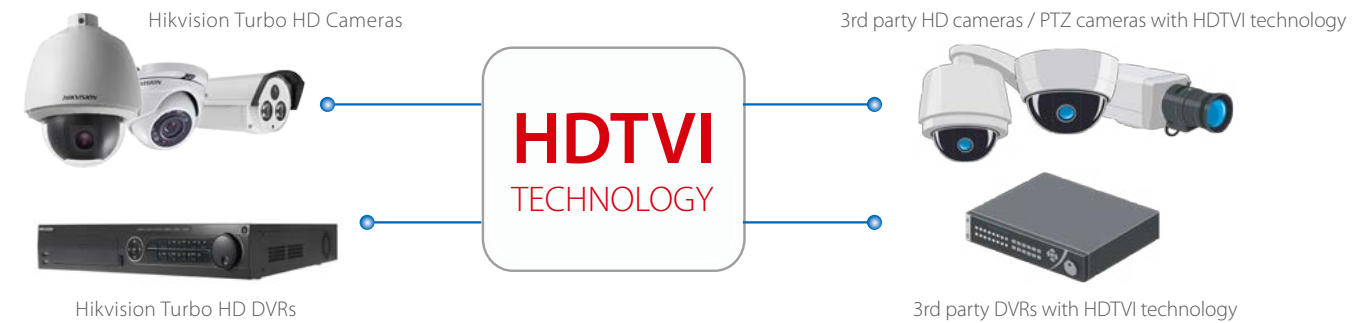


Hikvision Turbo HD Analog Camera

Open HDTVI Technology for 3rd Party Device Compatibility

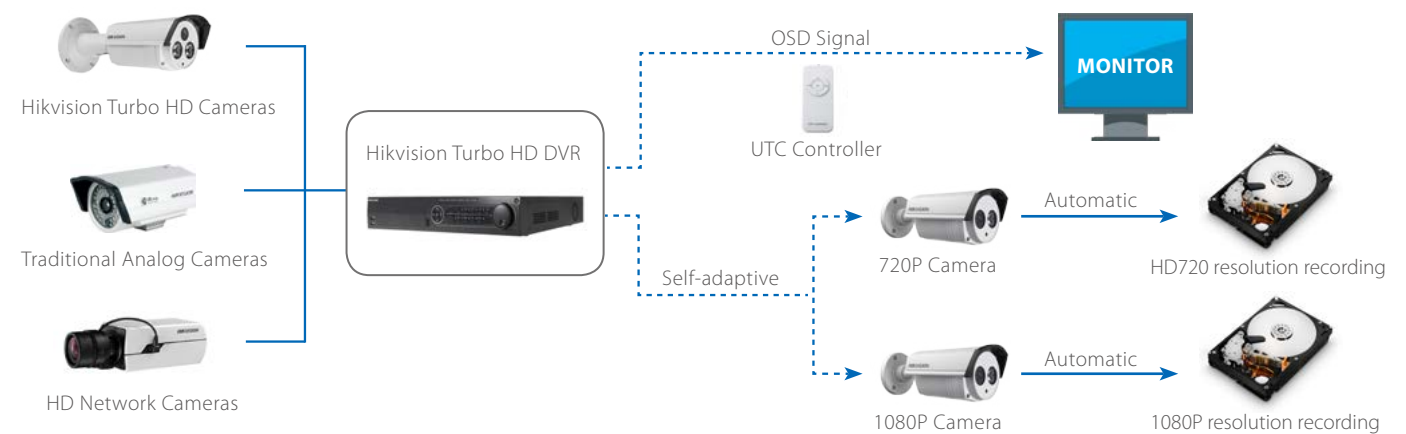
By adopting HDTVI technology, the Turbo HD Analog solution offers seamless compatibility with various third party cameras, PTZ cameras and DVRs for better flexibility.

- Hikvision Turbo HD DVR supports third-party HD cameras / PTZ cameras which also utilize HDTVI technology. Meanwhile, the traditional SD analog cameras / PTZ cameras can also be connected to the system.
- Hikvision Turbo HD analog cameras and PTZ cameras can access the 3rd party DVR products equipped with HDTVI technology.



Tribrid System (Turbo HD, IP and Analog) for Maximum Expansion Needs

- Hikvision Turbo HD DVR supports Network cameras, Analog Cameras and Turbo HD cameras simultaneously for maximum expansion needs. It is easy to upgrade an existing system by simply replace the existing camera and DVR with Turbo HD Analog solution. No need to replace wiring.
- The UTC is supported for remote set-up and configuration, and enabling control of the OSD signal / menu via coaxial cable. No longer have to go to the camera to make changes. The Turbo HD Analog solution also supports HD / SD signal output.
- The Turbo HD DVR auto-detects the incoming signal (analog, 720p, 1080p) and configures the input and recording accordingly.



Up-to 500m HD Transmission via Coaxial Cable

The RG59 guarantees up-to 500 meters of high-quality and reliable transmission at 720P / 1080P via coaxial cables.



Contents

Turbo HD DVRs

DS-7200HGHI-SH	2
DS-7200HQHI-SH	3
DS-7300HGHI-SH	4
DS-7300HQHI-SH	5
DS-8100HGHI-SH	6
DS-8100HQHI-SH	7

Turbo HD PTZ Domes

DS-2AE5123T	9
DS-2AE5223 / 5230T	10
DS-2AE7123TI	11
DS-2AE7223 / 7230TI	12

Turbo HD 720P Cameras

DS-2CE16C2T-IR	14
DS-2CE56C2T-IRM	15
DS-2CE56C2T-IR	16
DS-2CE16C2T-IT1 / 3	17
DS-2CE16C2T-IT5	18
DS-2CE56C2T-IT1 / 3	19

Turbo HD 720P Lowlight Cameras

DS-2CE16C5T-IT1 / 3	20
DS-2CE16C5T-IT5	21
DS-2CE56C5T-IT1 / 3	22
DS-2CE56C5T-(A)VPIR3	23
DS-2CE56C5T-(A)VFIR	24
DS-2CE56C5T-VFIT3	25
DS-2CE16C5T-(A)VFIR3	26

Turbo HD 1080P Cameras

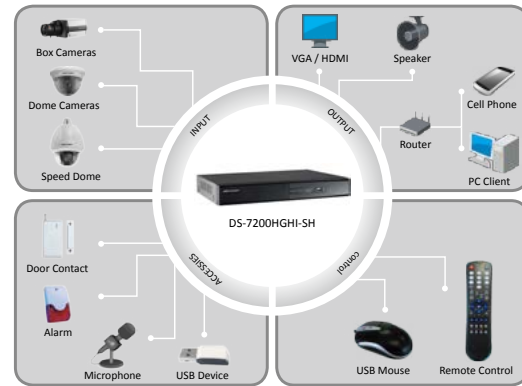
DS-2CE16D5T-IR	27
DS-2CE56D5T-IR	28
DS-2CE16D5T-IT1 / 3	29
DS-2CE16D5T-IT5	30
DS-2CE56D5T-IT1 / 3	31
DS-2CE56D5T-(A)VPIR3	32
DS-2CE56D5T-(A)VFIR	33
DS-2CE56D5T-VFIT3	34
DS-2CE16D5T-(A)VFIT3	35

Turbo HD DVRs



DS-7200HGHI-SH

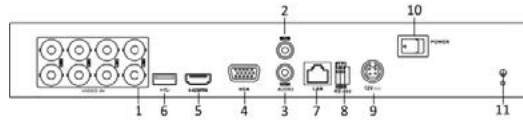
Turbo HD DVR



Key features

- H.264 & Dual-stream video compression
- Support both HD-TVI and analog cameras with adaptive access
- Support HD-TVI/analog/IP camera triple hybrid
- Full channel@720P resolution real-time recording
- HDMI and VGA output at up to 1920x1080P resolution
- Long transmission distance over coax cable
- Support up to 16-ch synchronous playback

Dimensions



- 1 VIDEO IN
- 2 AUDIO IN, RCA Connector
- 3 AUDIO OUT, RCA Connector
- 4 VGA Interface
- 5 HDMI Interface
- 6 USB Port
- 7 LAN Network Interface
- 8 RS-485 Serial Interface
- 9 12VDC Power Input
- 10 Power Switch
- 11 GND

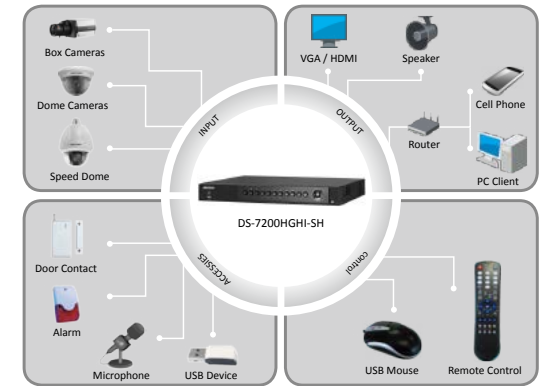
Available model

- DS-7204HGHI-SH
- DS-7208HGHI-SH
- DS-7216HGHI-SH

	DS-7204HGHI-SH	DS-7208HGHI-SH	DS-7216HGHI-SH
Video/Audio input			
Video compression	H.264		
Analog and HD-TVI video input	4-ch	8-ch	16-ch
	BNC interface (1.0Vp-p, 75 Ω)		
Supported camera types	720P25, 720P30, 720P50, 720P60, 1080P25, 1080P30, CVBS		
Audio compression	G.711u		
Audio input / Two-way audio in	1-ch, RCA (2.0 Vp-p, 1 KΩ)		
Video/Audio output			
HDMI / VGA output	1920 × 1080 / 60 Hz, 1280 × 1024 / 60 Hz, 1280 × 720 / 60 Hz, 1024 × 768 / 60 Hz		
Encoding resolution	Main stream: 1080P(non-real-time) / 720P / VGA / WD1 / 4CIF / CIF Sub-stream: WD1(non-real-time) / 4CIF(non-real-time) / CIF / QCIF / QVGA		
Frame rate	Main stream: 1/16 fps ~ Real time frame rate Sub-stream: 1/16 fps ~ Real time frame rate		
Video bitrate	32 Kbps-6 Mbps		
Audio output	1-ch, RCA (Linear, 1KΩ)		
Audio bitrate	64 Kbps		
Dual-stream	Support		
Stream type	Video, Video & Audio		
Synchronous playback	4-ch	8-ch	16-ch
Playback resolution	1080P / 720P / VGA / WD1 / 4CIF / CIF / QVGA / QCIF		
Network management			
Remote connections	128		
Network protocols	TCP/IP, PPPoE, DHCP, DNS, DDNS, NTP, SADP, SMTP, SNMP, NFS, iSCSI, UPnP™, HTTPS		
Hard disk			
Type	4 SATA interfaces for 4 HDDs; 1 eSATA interface		
SATA	1 SATA interface	2 SATA interfaces	
Capacity	Up to 4 TB capacity for each disk		
External interface			
Network interface	1; 10M / 100M self-adaptive Ethernet interface	1; 10M / 100M / 1000M self-adaptive Ethernet interface	
Serial interface	1; standard RS-485 serial interface, half-duplex		
USB port	2 × USB2.0		
General			
Power supply	12V DC		
Consumption (without hard disks)	≤ 15W	≤ 20W	≤ 20W
Working temperature	-10 °C ~ +55 °C (14 °F ~ 131 °F)		
Working humidity	10% ~ 90%		
Chassis	1U chassis	380mm 1U chassis	
Dimensions (W × D × H)	315 × 242 × 45mm (12.4 × 9.5 × 1.8 inch)		380 × 290 × 48mm (15.0 × 11.4 × 1.9 inch)
Weight (without hard disks)	≤ 1.5Kg (3.3lb)		≤ 2Kg (4.4lb)

DS-7200HQHI-SH

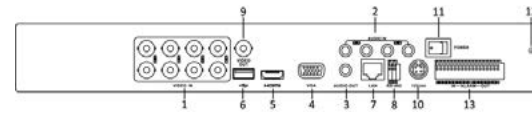
Turbo HD DVR



Key features

- H.264 & Dual-stream video compression
- Support both HD-TVI and analog cameras with adaptive access
- Support HD-TVI/analog/IP camera triple hybrid
- Full channel@1080P resolution real-time recording
- HDMI and VGA output at up to 1920x1080P resolution
- Long transmission distance over coax cable
- Support up to 8-ch synchronous playback

Dimensions



- 1 VIDEO IN
- 2 AUDIO IN, RCA Connector
- 3 AUDIO OUT, RCA Connector
- 4 VGA Interface
- 5 HDMI Interface
- 6 USB Port
- 7 LAN Network Interface
- 8 RS-485 Serial Interface
- 9 12VDC Power Input
- 10 Power Switch
- 11 GND
- 12 ALARM IN and ALARM OUT

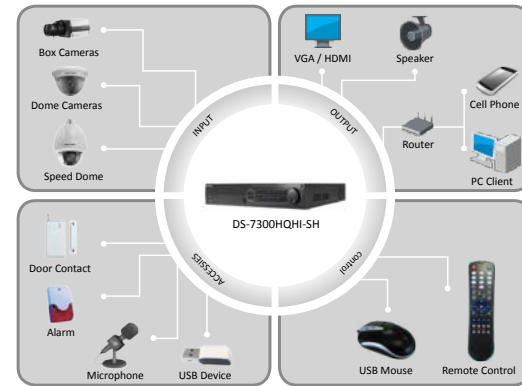
Available model

- DS-7204HQHI-SH
- DS-7208HQHI-SH

	DS-7204HQHI-SH	DS-7208HQHI-SH
Video / Audio input		
Video compression	H.264	
Analog and HD-TVI video input	4-ch	8-ch
	BNC interface (1.0Vp-p, 75 Ω)	
Supported camera types	720P25, 720P30, 720P50, 720P60, 1080P25, 1080P30, CVBS	
Audio compression	G.711u	
Audio input	4-ch, RCA (2.0 Vp-p, 1 KΩ)	
Two-way audio in	1-ch, RCA (2.0 Vp-p, 1 KΩ) (using the 1st channel of audio input)	
Video / Audio output		
HDMI / VGA output	1920 × 1080 / 60 Hz, 1280 × 1024 / 60 Hz, 1280 × 720 / 60 Hz, 1024 × 768 / 60 Hz	
Encoding resolution	Main stream: 1080P / 720P / VGA / WD1 / 4CIF / CIF Sub-stream: WD1(non-real-time) / 4CIF(non-real-time) / CIF / QCIF / QVGA	
Frame rate	Main stream: 1/16 fps ~ Real time frame rate Sub-stream: 1/16 fps ~ Real time frame rate	
Video bitrate	32 Kbps-10 Mbps	
Audio output	1-ch, RCA (Linear, 1KΩ)	
Audio bitrate	64 Kbps	
Dual-stream	Support	
Stream type	Video, Video & Audio	
Synchronous playback	4-ch	8-ch
Playback resolution	1080P / 720P / VGA / WD1 / 4CIF / CIF / QVGA / QCIF	
Network management		
Remote connections	128	
Network protocols	TCP/IP, PPPoE, DHCP, DNS, DDNS, NTP, SADP, SMTP, SNMP, NFS, iSCSI, UPnP™, HTTPS	
Hard disk		
SATA	1 SATA interface	2 SATA interfaces
Capacity	Up to 4 TB capacity for each disk	
External interface		
Network interface	1; 10M / 100M / 1000M self-adaptive Ethernet interface	
Serial interface	1; standard RS-485 serial interface, half-duplex	
Alarm in/out	4/1	8/4
USB port	2 × USB2.0	
General		
Power supply	12V DC	
Consumption (without hard disks)	≤ 15W	≤ 20W
Working temperature	-10 °C ~ +55 °C (14 °F ~ 131 °F)	
Working humidity	10% ~ 90%	
Chassis	1U chassis	380mm 1U chassis
Dimensions (W × D × H)	315 × 242 × 45mm (12.4 × 9.5 × 1.8 inch)	380 × 290 × 48mm (15.0 × 11.4 × 1.9 inch)
Weight (without hard disks)	≤ 1.5Kg (3.3lb)	≤ 2Kg (4.4lb)

DS-7300HGHI-SH

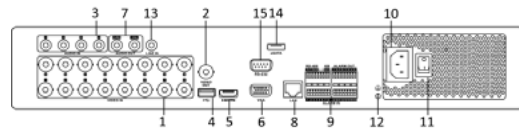
Turbo HD DVR



Key features

- H.264 & Dual-stream video compression
- Support both HD-TVI and analog cameras with adaptive access
- Support HD-TVI/analog/IP camera triple hybrid
- Full channel@720P resolution real-time recording
- HDMI and VGA output at up to 1920x1080P resolution
- Long transmission distance over coax cable
- Support up to 16-ch synchronous playback

Dimensions



- 1 VIDEO IN
- 2 VIDEO OUT
- 3 AUDIO IN, RCA Connector
- 4 USB Port
- 5 HDMI Interface
- 6 VGA Interface
- 7 CVBS AUDIO OUT and VGA AUDIO OUT
- 8 LAN Network Interface
- 9 RS-485 Serial Interface, Keyboard Interface, ALARM IN and ALARM OUT
- 10 100~240V AC Power Input
- 11 Power Switch
- 12 GND
- 13 LINE IN
- 14 eSATA Interface
- 15 RS-232 Serial Port

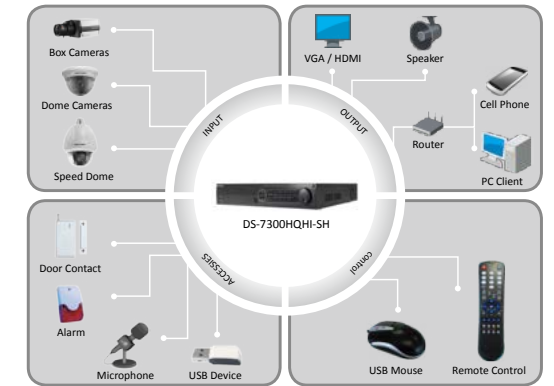
Available model

- DS-7304HGHI-SH
- DS-7308HGHI-SH
- DS-7316HGHI-SH

	DS-7304HGHI-SH	DS-7308HGHI-SH	DS-7316HGHI-SH
Video / Audio input			
Video compression	H.264		
Analog and HD-TVI video input	4-ch	8-ch	16-ch
	BNC interface (1.0Vp-p, 75 Ω)		
Supported camera types	720P25, 720P30, 720P50, 720P60, 1080P25, 1080P30, CVBS		
Audio compression	G.711u		
Audio input	4-ch, RCA (2.0 Vp-p, 1 KΩ)		
Two-way audio in	1-ch, RCA (2.0 Vp-p, 1 KΩ)		
Video / Audio output			
HDMI / VGA output	1920 × 1080 / 60 Hz, 1280 × 1024 / 60 Hz, 1280 × 720 / 60 Hz, 1024 × 768 / 60 Hz		
CVBS output	1-ch, BNC (1.0 Vp-p, 75 Ω), resolution: PAL: 704 × 576, NTSC: 704 × 480		
Encoding resolution	Main stream: 1080P (non-real-time) / 720P / VGA / 4CIF / CIF Sub-stream: WD1 (non-real-time) / 4CIF(non-real-time) / CIF / QCIF / QVGA		
Frame rate	Main stream: 1/16 fps ~ Real time frame rate Sub-stream: 1/16 fps ~ Real time frame rate		
Video bitrate	32 Kbps-6 Mbps		
Audio output	2-ch, RCA (Linear, 1KΩ, for VGA output and CVBS output respectively)		
Audio bitrate	64 Kbps		
Dual-stream	Support		
Stream type	Video, Video & Audio		
Synchronous playback	4-ch	8-ch	16-ch
Playback resolution	1080P / 720P / VGA / WD1 / 4CIF / CIF / QVGA / QCIF		
Network management			
Remote connections	128		
Network protocols	TCP/IP, PPPoE, DHCP, DNS, DDNS, NTP, SADP, SMTP, SNMP, NFS, iSCSI, UPnP™, HTTPS		
Hard disk			
Type	4 SATA interfaces for 4 HDDs; 1 eSATA interface		
Capacity	Up to 4 TB capacity for each disk		
External interface			
Network interface	1; 10M / 100M / 1000M self-adaptive Ethernet interface		
Serial interface	RS-232, RS-485, Keyboard		
USB port	3 × USB2.0		
Alarm in / out	16 / 4		
General			
Power supply	100 ~ 240VAC, 47 ~ 63HZ		
Consumption (without hard disks)	≤ 30W	≤ 40W	≤ 55W
Working temperature	-10 °C ~ +55 °C (14 °F ~ 131 °F)		
Working humidity	10% ~ 90%		
Chassis	19-inch rack-mounted 1.5U chassis		
Dimensions (W × D × H)	445 × 390 × 70 mm (17.5 × 15.3 × 2.7 inch)		
Weight (without hard disks)	≤ 5Kg (11.0lb)		

DS-7300HQHI-SH

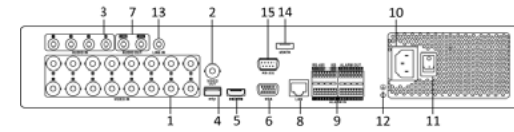
Turbo HD DVR



Key features

- H.264 & Dual-stream video compression
- Support both HD-TVI and analog cameras with adaptive access
- Support HD-TVI/analog/IP camera triple hybrid
- Full channel@1080P resolution real-time recording
- HDMI and VGA output at up to 1920x1080P resolution
- Long transmission distance over coax cable
- Support up to 16-ch synchronous playback

Dimensions



- 1 VIDEO IN
- 2 VIDEO OUT
- 3 AUDIO IN, RCA Connector
- 4 USB Port
- 5 HDMI Interface
- 6 VGA Interface
- 7 CVBS AUDIO OUT and VGA AUDIO OUT
- 8 LAN Network Interface
- 9 RS-485 Serial Interface, Keyboard Interface, ALARM IN and ALARM OUT
- 10 100~240V AC Power Input
- 11 Power Switch
- 12 GND
- 13 LINE IN
- 14 eSATA Interface
- 15 RS-232 Serial Port

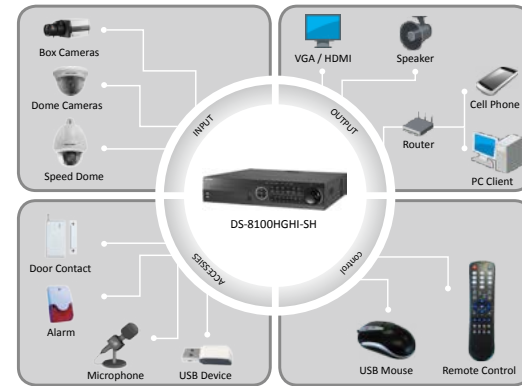
Available model

- DS-7304HQHI-SH
- DS-7308HQHI-SH
- DS-7316HQHI-SH

	DS-7304HQHI-SH	DS-7308HQHI-SH	DS-7316HQHI-SH
Video / Audio input			
Video compression	H.264		
Analog and HD-TVI video input	4-ch	8-ch	16-ch
	BNC interface (1.0Vp-p, 75 Ω)		
Supported camera types	720P25, 720P30, 720P50, 720P60, 1080P25, 1080P30, CVBS		
Audio compression	G.711u		
Audio input	4-ch, RCA (2.0 Vp-p, 1 KΩ)		
Two-way audio in	1-ch, RCA (2.0 Vp-p, 1 KΩ)		
Video / Audio output			
HDMI / VGA output	1920 × 1080 / 60 Hz, 1280 × 1024 / 60 Hz, 1280 × 720 / 60 Hz, 1024 × 768 / 60 Hz		
CVBS output	1-ch, BNC (1.0 Vp-p, 75 Ω), resolution: PAL: 704 × 576, NTSC: 704 × 480		
Encoding resolution	Main stream: 1080P / 720P / VGA / 4CIF / CIF Sub-stream: WD1 (non-real-time) / 4CIF(non-real-time) / CIF / QCIF / QVGA		
Frame rate	Main stream: 1 / 16 fps ~ Real time frame rate Sub-stream: 1 / 16 fps ~ Real time frame rate		
Video bitrate	32 Kbps-10 Mbps		
Audio output	2-ch, RCA (Linear, 1KΩ, for VGA output and CVBS output respectively)		
Audio bitrate	64 Kbps		
Dual-stream	Support		
Stream type	Video, Video & Audio		
Synchronous playback	4-ch	8-ch	16-ch
Playback resolution	1080P / 720P / VGA / WD1 / 4CIF / CIF / QVGA / QCIF		
Network management			
Remote connections	128		
Network protocols	TCP / IP, PPPoE, DHCP, DNS, DDNS, NTP, SADP, SMTP, SNMP, NFS, iSCSI, UPnP™, HTTPS		
Hard disk			
Type	4 SATA interfaces for 4 HDDs; 1 eSATA interface		
Capacity	Up to 4 TB capacity for each disk		
External interface			
Network interface	1; 10M / 100M / 1000M self-adaptive Ethernet interface		
Serial interface	RS-232, RS-485, Keyboard		
USB port	3 × USB2.0		
Alarm in / out	16 / 4		
General			
Power supply	100 ~ 240VAC, 47 ~ 63HZ		
Consumption (without hard disks)	≤ 30W	≤ 40W	≤ 55W
Working temperature	-10 °C ~ +55 °C (14 °F ~ 131 °F)		
Working humidity	10% ~ 90%		
Chassis	19-inch rack-mounted 1.5U chassis		
Dimensions (W × D × H)	445 × 390 × 70 mm (17.5 × 15.3 × 2.7 inch)		
Weight (without hard disks)	≤ 5Kg (11.0lb)		

DS-8100HGHI-SH

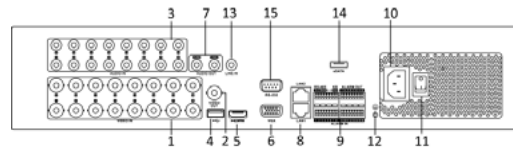
Turbo HD DVR



Key features

- H.264 & Dual-stream video compression
- Support both HD-TVI and analog cameras with adaptive access
- Support HD-TVI/analog/IP camera triple hybrid
- Full channel@720P resolution real-time recording
- HDMI and VGA output at up to 1920x1080P resolution
- Long transmission distance over coax cable
- Support up to 16-ch synchronous playback

Dimensions



- 1 VIDEO IN
- 2 VIDEO OUT
- 3 AUDIO IN, RCA Connector
- 4 USB Port
- 5 HDMI Interface
- 6 VGA Interface
- 7 CVBS AUDIO OUT and VGA AUDIO OUT
- 8 LAN1 LAN2 Network Interfaces
- 9 RS-485 Serial Interface, Keyboard Interface, ALARM IN and ALARM OUT
- 10 100~240V AC Power Input
- 11 Power Switch
- 12 GND
- 13 LINE IN
- 14 eSATA Interface
- 15 RS-232 Serial Port

Available model

- DS-8104HGHI-SH
- DS-8108HGHI-SH
- DS-8116HGHI-SH

	DS-8104HGHI-SH	DS-8108HGHI-SH	DS-8116HGHI-SH
Video / Audio input			
Video compression	H.264		
Analog and HD-TVI video input	4-ch	8-ch	16-ch
Supported camera types	720P25, 720P30, 720P50, 720P60, 1080P25, 1080P30, CVBS		
Audio compression	G.711u		
Audio input	4-ch	8-ch	16-ch
Two-way audio in	1-ch, RCA (2.0 Vp-p, 1 KΩ)		
Video / Audio output			
HDMI / VGA output	1920 × 1080 / 60 Hz, 1280 × 1024 / 60 Hz, 1280 × 720 / 60 Hz, 1024 × 768 / 60 Hz		
CVBS output	1-ch, BNC (1.0 Vp-p, 75 Ω), resolution: PAL: 704 × 576, NTSC: 704 × 480		
Encoding resolution	Main stream: 1080P (non-real-time) / 720P / WD1 / VGA / 4CIF / CIF Sub-stream: WD1 (non-real-time) / 4CIF (non-real-time) / CIF / QCIF / QVGA		
Frame rate	Main stream: 1 / 16 fps ~ Real time frame rate Sub-stream: 1 / 16 fps ~ Real time frame rate		
Video bitrate	32 Kbps-6Mbps		
Audio output	2-ch, RCA (Linear, 1KΩ, for VGA output and CVBS output respectively)		
Audio bitrate	64 Kbps		
Dual-stream	Support		
Stream type	Video, Video & Audio		
Synchronous playback	4-ch	8-ch	16-ch
Playback resolution	1080P / 720P / VGA / WD1 / 4CIF / CIF / QVGA / QCIF		
Network management			
Remote connections	128		
Network protocols	TCP / IP, PPPoE, DHCP, DNS, DDNS, NTP, SADP, SMTP, SNMP, NFS, iSCSI, UPnP™, HTTPS		
Hard disk			
Type	8 SATA interfaces for 8 HDDs; 1 eSATA interface		
Capacity	Up to 4 TB capacity for each disk		
External interface			
Network interface	2; 10M / 100M / 1000M self-adaptive Ethernet interfaces		
Serial interface	RS-232, RS-485, Keyboard		
USB port	3 × USB2.0		
Alarm in / out	16 / 4		
General			
Power supply	100 ~ 240VAC, 47 ~ 63HZ		
Consumption (without hard disks)	≤ 35W	≤ 45W	≤ 65W
Working temperature	-10 °C ~ +55 °C (14 °F ~ 131 °F)		
Working humidity	10% ~ 90%		
Chassis	19-inch rack-mounted 2U chassis		
Dimensions (W × D × H)	445 × 470 × 90 mm (17.5 × 18.5 × 3.5 inch)		
Weight (without hard disks)	≤ 8Kg (17.6 lb)		

DS-8100HQHI-SH

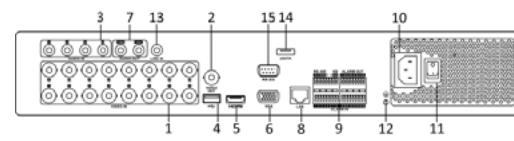
Turbo HD DVR



Key features

- H.264 & Dual-stream video compression
- Support both HD-TVI and analog cameras with adaptive access
- Support HD-TVI/analog/IP camera triple hybrid
- Full channel@1080P resolution real-time recording
- HDMI and VGA output at up to 1920x1080P resolution
- Long transmission distance over coax cable
- Support up to 16-ch synchronous playback

Dimensions



- 1 VIDEO IN
- 2 VIDEO OUT
- 3 AUDIO IN, RCA Connector
- 4 USB Port
- 5 HDMI Interface
- 6 VGA Interface
- 7 CVBS AUDIO OUT and VGA AUDIO OUT
- 8 LAN1 LAN2 Network Interfaces
- 9 RS-485 Serial Interface, Keyboard Interface, ALARM IN and ALARM OUT
- 10 100~240V AC Power Input
- 11 Power Switch
- 12 GND
- 13 LINE IN
- 14 eSATA Interface
- 15 RS-232 Serial Port

Available model

- DS-8104HQHI-SH
- DS-8108HQHI-SH
- DS-8116HQHI-SH

	DS-8104HQHI-SH	DS-8108HQHI-SH	DS-8116HQHI-SH
Video / Audio input			
Video compression	H.264		
Analog and HD-TVI video input	4-ch	8-ch	16-ch
Supported camera types	720P25, 720P30, 720P50, 720P60, 1080P25, 1080P30, CVBS		
Audio compression	G.711u		
Audio input	4-ch	8-ch	16-ch
Two-way audio in	1-ch, RCA (2.0 Vp-p, 1 KΩ)		
Video / Audio output			
HDMI / VGA output	1920 × 1080 / 60 Hz, 1280 × 1024 / 60 Hz, 1280 × 720 / 60 Hz, 1024 × 768 / 60 Hz		
CVBS output	1-ch, BNC (1.0 Vp-p, 75 Ω), resolution: PAL: 704 × 576, NTSC: 704 × 480		
Encoding resolution	Main stream: 1080P / 720P / VGA / 4CIF / CIF Sub-stream: WD1 (non-real-time) / 4CIF (non-real-time) / CIF / QCIF / QVGA		
Frame rate	Main stream: 1 / 16 fps ~ Real time frame rate Sub-stream: 1 / 16 fps ~ Real time frame rate		
Video bitrate	32 Kbps-10 Mbps		
Audio output	2-ch, RCA (Linear, 1KΩ, for VGA output and CVBS output respectively)		
Audio bitrate	64 Kbps		
Dual-stream	Support		
Stream type	Video, Video & Audio		
Synchronous playback	4-ch	8-ch	16-ch
Playback resolution	1080P / 720P / VGA / WD1 / 4CIF / CIF / QVGA / QCIF		
Network management			
Remote connections	128		
Network protocols	TCP / IP, PPPoE, DHCP, DNS, DDNS, NTP, SADP, SMTP, SNMP, NFS, iSCSI, UPnP™, HTTPS		
Hard disk			
Type	8 SATA interfaces for 8 HDDs; 1 eSATA interface		
Capacity	Up to 4 TB capacity for each disk		
External interface			
Network interface	2; 10M / 100M / 1000M self-adaptive Ethernet interfaces		
Serial interface	RS-232, RS-485, Keyboard		
USB port	3 × USB2.0		
Alarm in / out	16 / 4		
General			
Power supply	100 ~ 240VAC, 47 ~ 63HZ		
Consumption (without hard disks)	≤ 35W	≤ 45W	≤ 65W
Working temperature	-10 °C ~ +55 °C (14 °F ~ 131 °F)		
Working humidity	10% ~ 90%		
Chassis	19-inch rack-mounted 2U chassis		
Dimensions (W × D × H)	445 × 470 × 90 mm (17.5 × 18.5 × 3.5 inch)		
Weight (without hard disks)	≤ 8Kg (17.6 lb)		

Turbo HD

Analog PTZ Domes



DS-2AE4123T

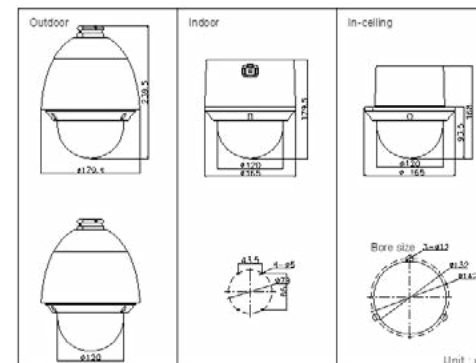
720P Analog PTZ Dome Camera



Key features

- 1.3MP CMOS Image Sensor
- 720P Video Output
- 23X optical zoom, 16X digital zoom
- Support up the coax function
- Privacy Masking, 3D DNR, D WDR, EIS
- 3D intelligent positioning
- True Day&Night
- 4-inch bubble

Dimensions



Accessories



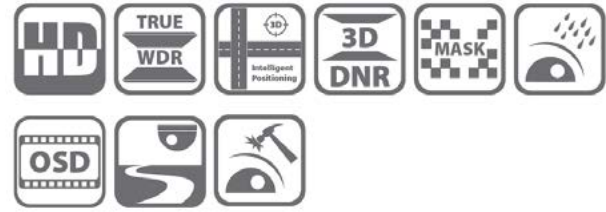
Available model

- DS-2AE4123T-A 24VAC, outdoor
- DS-2AE4123T-A 24VAC, indoor

DS-2AE4123T-A / DS-2AE4123T-A3	
Camera	
Image Sensor	1 / 3" CMOS
Effective Pixel	1400K
Max. Image Resolution	1280x720
Resolution	50Hz: 50fps(1280x720), 25fps(1280x720); 60Hz: 60fps(1280x720), 30fps(1280x720)
Min. Illumination	Color: 0.05Lux@(F1.6,AGC ON); B/W: 0.01Lux@(F1.6,AGC ON)
White Balance	Auto / Manual / ATW / Indoor / Outdoor
AGC	Auto / Manual
S / N Ratio	≥50dB
3D DNR	Support
Digital WDR	Support
EIS	Support
Backlight Compensation	Support
Shutter Time	PAL: 1-1/10,000s; NTSC: 1-1/10,000s
Day & Night	IR Cut Filter
Digital Zoom	16x
Privacy Mask	8 privacy masks programmable; a maximum of 8 zones can be masked simultaneously on the same video screen
Focus Model	Auto / Semiautomatic / Manual
Lens	
Focal Length	4-92mm, 23X
Zoom Speed	Approx.4.0s(Optical Wide-Tele)
Angle of View	49-2.2 degree(Wide-Tele)
Min. Working Distance	10-1000mm (Wide-Tele)
Aperture	F1.6-F3.7
Pan and Tilt	
Pan Range	360° endless
Pan Speed	Pan Manual Speed: 0.1° -160°/s , Pan Preset Speed: 160°/s
Tilt Range	-2°-90°(Auto Flip)
Tilt Speed	Tilt Manual Speed: 0.1°-120°/s , Tilt Preset Speed: 120°/s
Proportional Zoom	Rotation speed can be adjusted automatically according to zoom multiples
Number of Preset	256
Patrol	8 patrols, up to 32 presets per patrol
Pattern	4 patterns, with the total recording time not less than 10 minutes
Power-off Memory	Support
Park Action	Preset / Patrol / Pattern / Pan scan / Tilt scan / Frame Scan / Random scan / Panorama scan
PTZ Position Display	On / Off
Preset Freezing	Support
Scheduled Task	Preset / Patrol / Pattern / Pan scan / Tilt scan / Frame Scan / Random scan / Panorama scan
RS-485 communication diagnosis	Support
Input / Output	
Monitor Output	1 HD TVI output , (1.0V[p-p] / 75Ω, NTSC (or PAL) composite, BNC)
RS-485 Interface	Half-duplex mode , Self-adaptive HIKVISION, Pelco-P, Pelco-D protocol
UTC function	Self-adaptive PELCO_C, HIKVISION_C(need UTC controller)
General	
Menu Language	English, Chinese
Power	24 VAC , Outdoor: Max.18 W(heater: 6W) , Indoor: Max.12W
Working Temperature / Humidity	-30 °C-65°C(-22°F-149°F)(outdoor dome) / -10°C-50°C(14°F-122°F)(indoor dome) ; 90% or less
Protection Level	IP66 standard (outdoor dome); TVS 4,000V lightning protection, surge protection and voltage transient protection
Impact Protection	Outdoor: IEC60068-275Eh, 20J; EN50102, up to IK10 Indoor: IEC60068-275Eh, 10J; EN50102, up to IK09
Mounting	Various mounting modes optional
Dimensions	Φ179.4x239.5mm(Φ7.06"x9.43")(Outdoor) Φ165x179.5mm(Φ6.50"x7.07") (Indoor) Φ165x168mm(Φ6.50"x6.61") (In-ceiling)
Weight (approx.)	2Kg (4.41lbs) (Outdoor) 2Kg(4.41lbs) (Indoor ceiling/In-ceiling)
Mount Option	Long-arm wall mount: DS-1601ZJ; Short-arm mount: DS-1618ZJ (only suitable for outdoor dome) Pendant mount: DS-1661ZJ(20cm) or DS-1662ZJ(50cm)

DS-2AE5123T

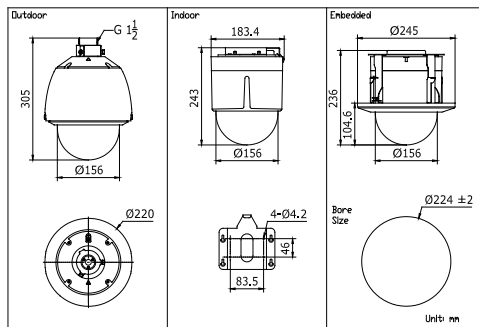
720P Analog PTZ Dome Camera



Key features

- 1.3MP CMOS Image Sensor
- 720P Video Output
- 23X optical zoom, 16X digital zoom
- Support up the coax function
- Privacy Masking, 3D DNR, D WDR, EIS
- 3D intelligent positioning
- True Day&Night

Dimensions



Accessories



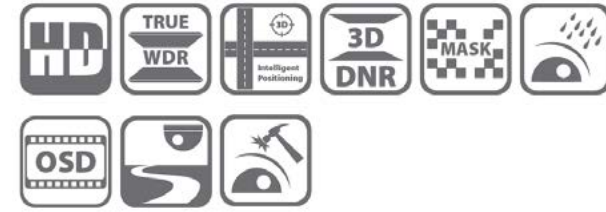
Available model

- DS-2AE5123T-A, 24VAC, outdoor
- DS-2AE5123T-A3, 24VAC, indoor

	DS-2AE5123T-A	DS-2AE5123T-A3
Camera		
Image Sensor	1 / 3" CMOS	
Effective Pixel	1490K	
Horizontal Resolution	950TVL	
Signal System	PAL / NTSC	
Min. Illumination	Color: 0.2Lux@(F1.6,AGC ON) ; B / W: 0.02Lux@(F1.6,AGC ON)	
White Balance	Auto / Manual / ATW / Indoor / Outdoor	
AGC	Auto / Manual	
S / N Ratio	≥50dB	
3D DNR	Support	
Digital WDR	Support	
EIS	Support	
Backlight Compensation	Support	
Shutter Time	PAL: 1-1 / 10,000s; NTSC: 1-1 / 10,000s	
Day & Night	IR Cut Filter	
Digital Zoom	16x	
Privacy Mask	8 privacy masks programmable; a maximum of 8 zones can be masked simultaneously on the same video screen	
Focus Model	Auto / Semiautomatic / Manual	
Lens		
Focal Length	4-92mm, 23X	
Zoom Speed	Approx.4.0s(Optical Wide-Tele)	
Angle of View	49-2.2 degree(Wide-Tele)	
Min. Working Distance	10-1000mm (Wide-Tele)	
Aperture	F1.6-F3.7	
Pan and Tilt		
Pan Range	360° endless	
Pan Speed	Pan Manual Speed: 0.1°-250° / s; Pan Preset Speed: 300° / s	
Tilt Range	-5°-90° (Auto Flip)	
Tilt Speed	Tilt Manual Speed: 0.1°-150° / s; Tilt Preset Speed: 200° / s	
Proportional Zoom	Rotation speed can be adjusted automatically according to zoom multiples	
Number of Preset	256	
Patrol	8 patrols, up to 32 presets per patrol	
Pattern	4 patterns, with the total recording time not less than 10 minutes	
Power-off Memory	Support	
Park Action	Preset / Patrol / Pattern / Pan scan / Tilt scan / Frame Scan / Random scan / Panorama scan	
PTZ Position Display	On / Off	
Preset Freezing	Support	
Scheduled Task	Preset / Patrol / Pattern / Pan scan / Tilt scan / Frame Scan / Random scan / Panorama scan	
RS-485 communication diagnosis	Support	
Input / Output		
Monitor Output	1.0V[p-p] / 75Ω, NTSC (or PAL) composite, BNC	
RS-485 Interface	Half-duplex mode; Self-adaptive HIKVISION, Pelco-P, Pelco-D protocol	
UTC function	Self-adaptive PELCO_C, HIKVISION_C(need UTC controller)	
General		
Menu Language	English, Chinese	
Power	24VAC; Outdoor dome: Max. 20W (Heater On), Max. 12W(Heater Off); Indoor dome: Max.12W	
Working Temperature / Humidity	-30 °C-65°C(-22°F-149°F)(outdoor dome) / -10°C-50°C(14°F-122°F)(indoor dome) 90% or less	
Protection Level	IP66 standard (outdoor dome)	
Mounting	TVS 4,000V lightning protection, surge protection and voltage transient protection Various mounting modes optional	
Dimensions	φ220×305mm (φ8.66"×12.00")(Outdoor); φ183.4×243mm(φ7.22"×9.56") (Indoor) φ245×236mm(φ9.65"×9.29") (In-ceiling)	
Weight (approx.)	5Kg (11.02lbs)	
Mount Option (only suitable for outdoor dome)	Long-arm wall mount: DS-1601ZJ; Corner mount: DS-1601ZJ-corner; Pole Mount: DS-1601ZJ-pole; Power box mount:DS-1601ZJ-box	
Weight	500g	

DS-2AE5223/5230T

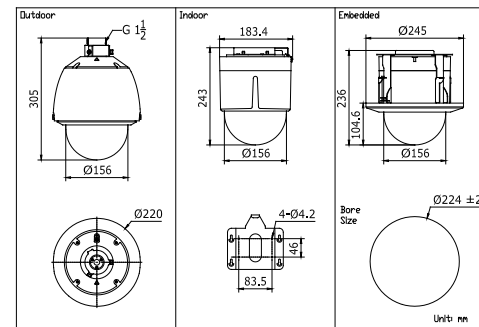
1080P Analog PTZ Dome Camera



Key features

- 2MP CMOS Image Sensor
- Full HD 1080P Video Output
- 23X / 30X optical zoom, 16X digital zoom
- Support up the coax function
- Privacy Masking, 3D DNR, D WDR, EIS
- 3D intelligent positioning
- True Day&Night

Dimensions



Accessories



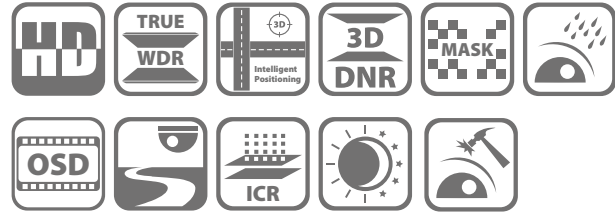
Available model

- DS-2AE5223T-A, 24VAC, outdoor
- DS-2AE5223T-A3, 24VAC, indoor
- DS-2AE5230T-A, 24VAC, outdoor
- DS-2AE5230T-A3, 24VAC, indoor

	DS-2AE5223T-A	DS-2AE5230T-A	DS-2AE5223T-A3	DS-2AE5230T-A3
Camera				
Image Sensor	1 / 3" CMOS			
Effective Pixel	3270K			
Horizontal Resolution	1100TVL			
Signal System	PAL / NTSC			
Min. Illumination	Color: 0.2Lux@(F1.6,AGC ON) ; B / W: 0.02Lux@(F1.6,AGC ON)			
White Balance	Auto / Manual / ATW / Indoor / Outdoor			
AGC	Auto / Manual			
S / N Ratio	≥50dB			
3D DNR	Support			
Digital WDR	Support			
EIS	Support			
Backlight Compensation	Support			
Shutter Time	PAL: 1-1 / 10,000s; NTSC: 1-1 / 10,000s			
Day & Night	IR Cut Filter			
Digital Zoom	16x			
Privacy Mask	8 privacy masks programmable; a maximum of 8 zones can be masked simultaneously on the same video screen			
Focus Model	Auto / Semiautomatic / Manual			
Lens				
Focal Length	4-92mm, 23X		4-120mm, 30X	
Zoom Speed	Approx.3.0s(Optical Wide-Tele)		Approx.3.0s(Optical Wide-Tele)	
Angle of View	49-2.2 degree(Wide-Tele)		58-1.7 degree(Wide-Tele)	
Min. Working Distance	10-1000mm (Wide-Tele)		10-1500mm (Wide-Tele)	
Aperture	F1.6-F3.7		F1.6-F4.4	
Pan and Tilt				
Pan Range	360° endless			
Pan Speed	Pan Manual Speed: 0.1°-250° / s; Pan Preset Speed: 300° / s			
Tilt Range	-5°-90° (Auto Flip)			
Tilt Speed	Tilt Manual Speed: 0.1°-150° / s; Tilt Preset Speed: 200° / s			
Proportional Zoom	Rotation speed can be adjusted automatically according to zoom multiples			
Number of Preset	256			
Patrol	8 patrols, up to 32 presets per patrol			
Pattern	4 patterns, with the total recording time not less than 10 minutes			
Power-off Memory	Support			
Park Action	Preset / Patrol / Pattern / Pan scan / Tilt scan / Frame Scan / Random scan / Panorama scan			
PTZ Position Display	On / Off			
Preset Freezing	Support			
Scheduled Task	Preset / Patrol / Pattern / Pan scan / Tilt scan / Frame Scan / Random scan / Panorama scan			
RS-485 communication diagnosis	Support			
Input / Output				
Monitor Output	1.0V[p-p] / 75Ω, NTSC (or PAL) composite, BNC			
RS-485 Interface	Half-duplex mode; Self-adaptive HIKVISION, Pelco-P, Pelco-D protocol			
UTC function	Self-adaptive PELCO_C, HIKVISION_C(need UTC controller)			
General				
Menu Language	English, Chinese			
Power	24VAC; Outdoor dome: Max. 20W (Heater On), Max. 12W(Heater Off); Indoor dome: Max.12W			
Working Temperature / Humidity	-30 °C-65°C(-22°F-149°F)(outdoor dome) / -10°C-50°C(14°F-122°F)(indoor dome) 90% or less			
Protection Level	IP66 standard (outdoor dome)			
Mounting	TVS 4,000V lightning protection, surge protection and voltage transient protection Various mounting modes optional			
Dimensions	φ220×305mm (φ8.66"×12.00")(Outdoor); φ183.4×243mm(φ7.22"×9.56") (Indoor) φ245×236mm(φ9.65"×9.29") (In-ceiling)			
Weight (approx.)	5Kg (11.02lbs)			
Mount Option (only suitable for outdoor dome)	Long-arm wall mount: DS-1601ZJ; Corner mount: DS-1601ZJ-corner; Pole Mount: DS-1601ZJ-pole; Power box mount:DS-1601ZJ-box			
Weight	500g			

DS-2AE7123TI

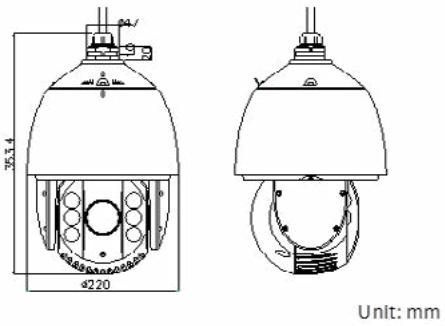
720P Analog IR PTZ Dome Camera



Key features

- 1.3MP CMOS Image Sensor
- 720P Video Output
- 23X optical zoom, 16X digital zoom
- Support up the coax function
- Privacy Masking, 3D DNR, D WDR, EIS
- 3D intelligent positioning
- True Day&Night

Dimensions



Unit: mm

Accessories



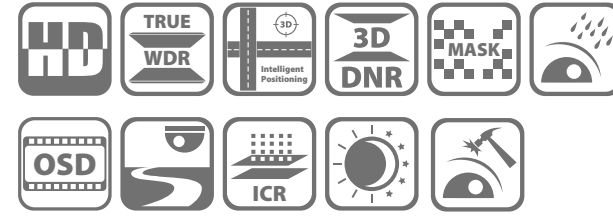
Available model

DS-2AE7123TI-A, 24VAC, outdoor

DS-2AE7123TI-A	
Camera	
Image Sensor	1 / 3" CMOS
Effective Pixel	1490K
Horizontal Resolution	950TVL
Signal System	PAL / NTSC
Min. Illumination	Color: 0.2Lux@(F1.6,AGC ON); B / W: 0.02Lux@(F1.6,AGC ON)
White Balance	Auto / Manual / ATW / Indoor / Outdoor
AGC	Auto / Manual
S / N Ratio	≥50dB
3D DNR	Support
Digital WDR	Support
EIS	Support
Backlight Compensation	Support
Shutter Time	PAL: 1-1 / 10,000s; NTSC: 1-1 / 10,000s
Day & Night	IR Cut Filter
Digital Zoom	16x
Privacy Mask	8 privacy masks programmable; a maximum of 8 zones can be masked simultaneously on the same video screen
Focus Model	Auto / Semiautomatic / Manual
Lens	
Focal Length	4-92mm, 23X
Zoom Speed	Approx.4.0s(Optical Wide-Tele)
Angle of View	49-2.2 degree(Wide-Tele)
Min. Working Distance	10-1000mm (Wide-Tele)
Aperture	F1.6-F3.7
Pan and Tilt	
Pan Range	360° endless
Pan Speed	Pan Manual Speed: 0.1°-160° / s; Pan Preset Speed: 240° / s
Tilt Range	-15°-90° (Auto Flip)
Tilt Speed	Tilt Manual Speed: 0.1°-120° / s; Tilt Preset Speed: 200° / s
Proportional Zoom	Rotation speed can be adjusted automatically according to zoom multiples
Number of Preset	256
Patrol	8 patrols, up to 32 presets per patrol
Pattern	4 patterns, with the total recording time not less than 10 minutes
Power-off Memory	Support
Park Action	Preset / Patrol / Pattern / Pan scan / Tilt scan / Frame Scan / Random scan / Panorama scan
PTZ Position Display	On / Off
Preset Freezing	Support
Scheduled Task	Preset / Patrol / Pattern / Pan scan / Tilt scan / Frame Scan / Random scan / Panorama scan
RS-485 communication diagnosis	Support
Infrared	
IR Distance	120m
IR Intensity	Automatically adjusted, depending on the zoom ratio
Input / Output	
Monitor Output	1.0V[p-p] / 75Ω, NTSC (or PAL) composite, BNC
RS-485 Interface	Half-duplex mode; Self-adaptive HIKVISION, Pelco-P, Pelco-D protocol
UTC function	Self-adaptive PELCO_C, HIKVISION_C(need UTC controller)
General	
Menu Language	English, Chinese
Power	24VAC; Outdoor dome: Max. 20W (Heater On), Max. 12W(Heater Off); Indoor dome: Max.12W
Working Temperature / Humidity	-30 °C-65°C(-22°F-149°F)(outdoor dome) / -10°C-50°C(14°F-122°F)(indoor dome) 90% or less
Protection Level	IP66 standard (outdoor dome) TVS 4,000V lightning protection, surge protection and voltage transient protection
Mounting	Various mounting modes optional
Dimensions	φ220×353.4mm (φ8.66"×13.91")(Outdoor)
Weight (approx.)	5.5kg(12.13lbs)

DS-2AE7223/7230TI

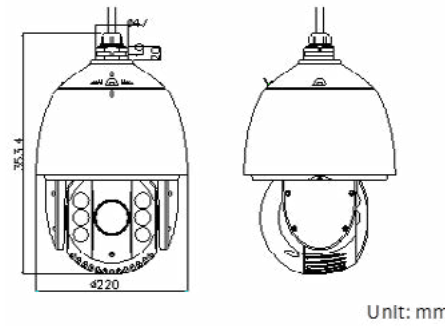
1080P Analog IR PTZ Dome Camera



Key features

- 2MP CMOS Image Sensor
- Full HD 1080P Video Output
- 23X / 30X optical zoom, 16X digital zoom
- Support up the coax function
- Privacy Masking, 3D DNR, D WDR, EIS
- 3D intelligent positioning
- True Day&Night

Dimensions



Unit: mm

Accessories



Available model

DS-2AE7223TI-A, 24VAC, outdoor
DS-2AE7230TI-A, 24VAC, outdoor

DS-2AE7223TI-A		DS-2AE7230TI-A	
Camera			
Image Sensor	1 / 3" CMOS		
Effective Pixel	3270K		
Horizontal Resolution	1100TVL		
Signal System	PAL / NTSC		
Min. Illumination	Color: 0.2Lux@(F1.6,AGC ON); B / W: 0.02Lux@(F1.6,AGC ON)		
White Balance	Auto / Manual / ATW / Indoor / Outdoor		
AGC	Auto / Manual		
S / N Ratio	≥50dB		
3D DNR	Support		
Digital WDR	Support		
EIS	Support		
Backlight Compensation	Support		
Shutter Time	PAL: 1-1 / 10,000s; NTSC: 1-1 / 10,000s		
Day & Night	IR Cut Filter		
Digital Zoom	16x		
Privacy Mask	8 privacy masks programmable; a maximum of 8 zones can be masked simultaneously on the same video screen		
Focus Model	Auto / Semiautomatic / Manual		
Lens			
Focal Length	4-92mm, 23X	4-120mm, 30X	
Zoom Speed	Approx.3.0s(Optical Wide-Tele)	Approx.3.0s(Optical Wide-Tele)	
Angle of View	49-2.2 degree(Wide-Tele)	58-1.7 degree(Wide-Tele)	
Min. Working Distance	10-1500mm (Wide-Tele)		
Aperture	F1.6-F3.7	F1.6-F4.4	
Pan and Tilt			
Pan Range	360° endless		
Pan Speed	Pan Manual Speed: 0.1°-160° / s; Pan Preset Speed: 240° / s		
Tilt Range	-15°-90° (Auto Flip)		
Tilt Speed	Tilt Manual Speed: 0.1°-120° / s; Tilt Preset Speed: 200° / s		
Proportional Zoom	Rotation speed can be adjusted automatically according to zoom multiples		
Number of Preset	256		
Patrol	8 patrols, up to 32 presets per patrol		
Pattern	4 patterns, with the total recording time not less than 10 minutes		
Power-off Memory	Support		
Park Action	Preset / Patrol / Pattern / Pan scan / Tilt scan / Frame Scan / Random scan / Panorama scan		
PTZ Position Display	On / Off		
Preset Freezing	Support		
Scheduled Task	Preset / Patrol / Pattern / Pan scan / Tilt scan / Frame Scan / Random scan / Panorama scan		
RS-485 communication diagnosis	Support		
Infrared			
IR Distance	120m		
IR Intensity	Automatically adjusted, depending on the zoom ratio		
Input / Output			
Monitor Output	1.0V[p-p] / 75Ω, NTSC (or PAL) composite, BNC		
RS-485 Interface	Half-duplex mode; Self-adaptive HIKVISION, Pelco-P, Pelco-D protocol		
UTC function	Self-adaptive PELCO_C, HIKVISION_C(need UTC controller)		
General			
Menu Language	English, Chinese		
Power	24VAC (for -A model); 12VDC (for -D model)		
Working Temperature / Humidity	-30 °C-65°C(-22°F-149°F)(outdoor dome) 90% or less		
Protection Level	IP66 standard (outdoor dome) TVS 4,000V lightning protection, surge protection and voltage transient protection		
Mounting	Various mounting modes optional		
Dimensions	φ220×353.4mm (φ8.66"×13.91")(Outdoor)		
Weight (approx.)	5.5kg(12.13lbs)		

Turbo HD Analog Cameras



DS-2CE16C2T-IR

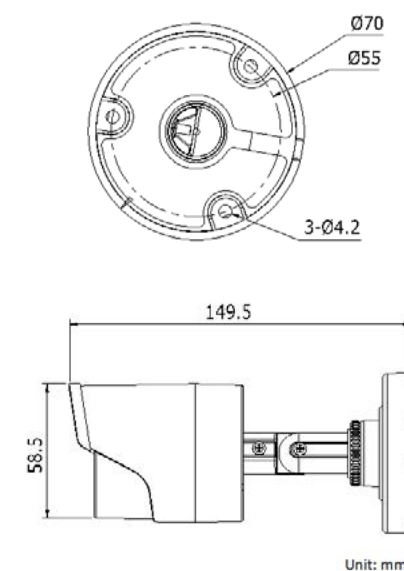
HD720P Bullet Camera



Key features

- HD720P Video Output
- Adopt HDTV Technology
- True Day/Night
- DNR, Smart IR
- 20m IR distance
- IP66 weatherproof

Dimensions



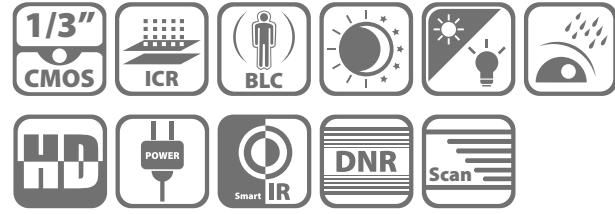
Available model

DS-2CE16C2T-IR

DS-2CE16C2T-IR	
Camera	
Image Sensor	1 / 3" Progressive Scan CMOS
Effective Pixels	1280(H)*720(V)
Min. Illumination	0.01 Lux @(F1.2,AGC ON), 0 Lux with IR
Shutter Time	1 / 25(1 / 30) s to 1 / 50,000 s
Lens	3.6mm (2.8mm, 6mm optional)
	Angle of View: 76.88°(3.6mm), 99.73°(2.8mm), 50.1°(6mm)
Lens Mount	M12
Angle Adjustment	Pan: 0 - 360°, Tilt: 0 - 90°, Rotation: 0 - 360°
Day & Night	ICR
Synchronization	Internal synchronization
Video Frame Rate	720p@50fps / 720p@60fps
HD Video Output	1 Analog HD output
S / N Ratio	More than 52dB
General	
Working Temperature / Humidity	-40 °C - 60 °C (-40 °F - 140 °F) Humidity 90% or less (non-condensing)
Power Supply	12 VDC
Power Consumption	Max. 3.5W
Weather Proof Ratings	IP66
IR Range	Up to 20m
Dimensions	φ70×149.5 mm (φ2.76"×5.89")
Weight	360 g (0.79 lb)

DS-2CE56C2T-IRM

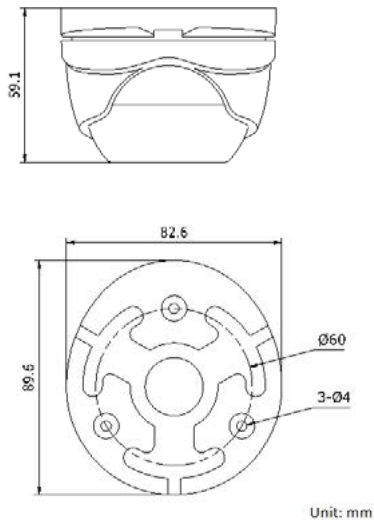
HD720P Turret Camera



Key features

- HD720P Video Output
- Adopt HDTVI Technology
- True Day/Night
- DNR, Smart IR
- 20m IR distance
- IP66 weatherproof

Dimensions



Accessories



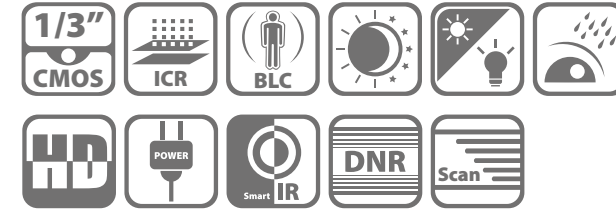
Indoor / outdoor wall mount
DS-1272ZJ-110-TRS

Available model

DS-2CE56C2T-IRM

DS-2CE56C2T-IR

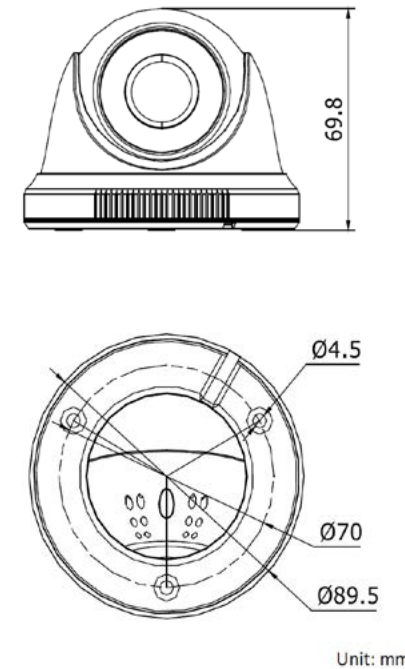
HD720P Turret Camera



Key features

- HD720P Video Output
- Adopt HDTVI Technology
- True Day/Night
- DNR, Smart IR
- 20m IR distance
- IP66 weatherproof

Dimensions



Available model

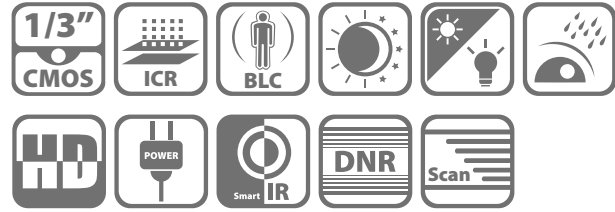
DS-2CE56C2T-IR

DS-2CE56C2T-IRM	
Camera	
Image Sensor	1 / 3" Progressive Scan CMOS
Effective Pixels	1280(H)*720(V)
Min. Illumination	0.01 Lux @(F1.2,AGC ON), 0 Lux with IR
Shutter Time	1 / 25(1 / 30) s to 1 / 50,000 s
Lens	3.6mm (2.8mm, 6mm optional)
	Angle of View: 76.88°(3.6mm), 99.73°(2.8mm), 50.1°(6mm)
Lens Mount	M12
Angle Adjustment	Pan: 0 - 360°, Tilt: 0 - 90°, Rotation: 0 - 360°
Day & Night	ICR
Synchronization	Internal synchronization
Video Frame Rate	720p@25fps / 720p@30fps
HD Video Output	1 Analog HD output
S / N Ratio	More than 52dB
General	
Working Temperature / Humidity	-40 °C - 60 °C (-40 °F - 140 °F) Humidity 90% or less (non-condensing)
Power Supply	12 VDC
Power Consumption	Max. 3.5W
Weather Proof Ratings	IP66
IR Range	Up to 20m
Dimensions	89.6 x 59.1 mm (3.53" x 2.33")
Weight	400 g (0.88 lb)

DS-2CE56C2T-IR	
Camera	
Image Sensor	1 / 3" Progressive Scan CMOS
Effective Pixels	1280(H)*720(V)
Min. Illumination	0.01 Lux @(F1.2,AGC ON), 0 Lux with IR
Shutter Time	1 / 25(1 / 30) s to 1 / 50,000 s
Lens	3.6mm (2.8mm, 6mm optional)
	Angle of View: 76.88°(3.6mm), 99.73°(2.8mm), 50.1°(6mm)
Lens Mount	M12
Angle Adjustment	Pan: 0 - 360°, Tilt: 0 - 90°, Rotation: 0 - 360°
Day & Night	ICR
Synchronization	Internal synchronization
Video Frame Rate	720p@25fps / 720p@30fps
HD Video Output	1 Analog HD output
S / N Ratio	More than 52dB
General	
Working Temperature / Humidity	-40 °C - 60 °C (-40 °F - 140 °F) Humidity 90% or less (non-condensing)
Power Supply	12 VDC
Power Consumption	Max. 3.5W
Weather Proof Ratings	IP66
IR Range	Up to 20m
Dimensions	Ø89.5 x 69.8 mm (3.52" x 2.75")
Weight	260 g (0.57 lbs)

DS-2CE16C2T-IT1/IT3

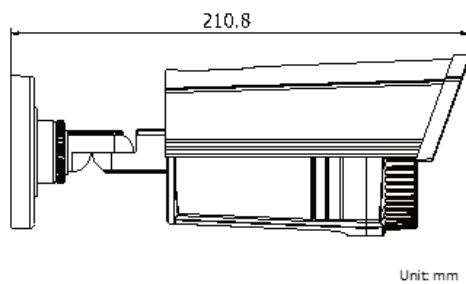
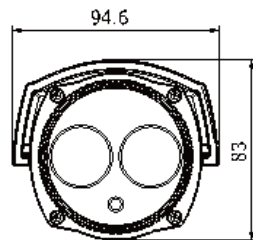
HD720P EXIR Bullet Camera



Key features

- HD720P Video Output
- Adopt HDTVI Technology
- True Day/Night, Smart IR
- EXIR technology, 20/40m IR distance
- IP66 weatherproof

Dimensions



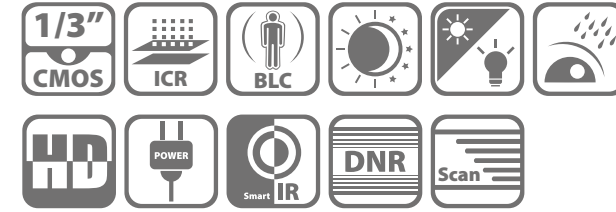
Available model

- DS-2CE16C2T-IT1
- DS-2CE16C2T-IT3

	DS-2CE16C2T-IT1	DS-2CE16C2T-IT3
Camera		
Image Sensor	1 / 3" Progressive Scan CMOS	
Signal System	PAL / NTSC	
Effective Pixels	1280(H)*720(V)	
Min. Illumination	0.01 Lux @(F1.2,AGC ON), 0 Lux with IR	
Shutter speed	1/25(1/30) s to 1/50,000 s	
Lens	3.6mm (2.8mm, 6mm, 8mm optional)	3.6mm (2.8mm, 6mm, 8mm, 12mm, 16mm optional)
	Angle of View: 76.88°(3.6mm), 99.73°(2.8mm), 50.1°(6mm), 36.8°(8mm)	Angle of View: 76.88°(3.6mm), 99.73°(2.8mm), 50.1°(6mm), 36.8°(8mm), 24.33°(12mm), 18.4°(16mm)
Lens Mount	M12	
Day & Night	ICR	
Synchronization	Internal synchronization	
Video Frame Rate	720p@25fps/720p@30fps	
HD Video Output	1 Analog HD output	
S / N Ratio	More than 52dB	
General		
Working Temperature / Humidity	-40 °C - 60 °C (-40 °F - 140 °F) Humidity 90% or less (non-condensing)	
Power Supply	12V DC	
Power Consumption	Max. 3W	Max. 4.5W
Weather Proof Ratings	IP66	
IR Range	Up to 20m	Up to 40m
Dimensions	94.6x83x210.8mm(3.72"x3.27"x8.30")	
Weight	700 g (1.54 lbs)	

DS-2CE16C2T-IT5

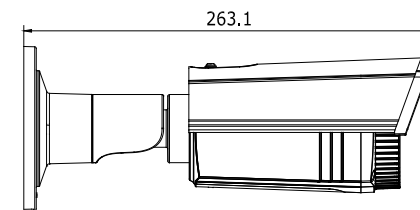
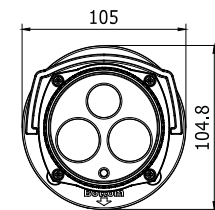
HD720P EXIR Bullet Camera



Key features

- HD720P Video Output
- Adopt HDTVI Technology
- True Day/Night, Smart IR
- EXIR technology, 80m IR distance
- IP66 weatherproof

Dimensions



Unit: mm

Accessories



Indoor / outdoor pole mount
DS-1275ZJ

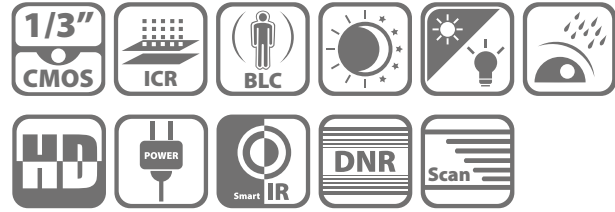
Available model

- DS-2CE16C2T-IT5

	DS-2CE16C2T-IT5
Camera	
Image Sensor	1 / 3" Progressive Scan CMOS
Signal System	PAL / NTSC
Effective Pixels	1280(H)*720(V)
Min. Illumination	0.01 Lux @(F1.2,AGC ON), 0 Lux with IR
Shutter speed	1 / 25(1 / 30) s to 1 / 50,000 s
Lens	3.6mm (6mm, 8mm, 12mm, 16mm optional)
	Angle of View: 76.88°(3.6mm), 50.1°(6mm), 36.8°(8mm), 24.33°(12mm), 18.4°(16mm)
Lens Mount	M12
Day & Night	ICR
Synchronization	Internal synchronization
Video Frame Rate	720p@25fps / 720p@30fps
HD Video Output	1 Analog HD output
S / N Ratio	More than 52dB
General	
Working Temperature / Humidity	-40 °C - 60 °C (-40 °F - 140 °F) Humidity 90% or less (non-condensing)
Power Supply	12 VDC±10%
Power Consumption	Max. 4.5W
Weather Proof Ratings	IP66
IR Range	Up to 80m
Dimensions	105x104.8x263.1mm(4.13"x4.13"x10.36")
Weight	800 g (1.76 lb)

DS-2CE56C2T-IT1/IT3

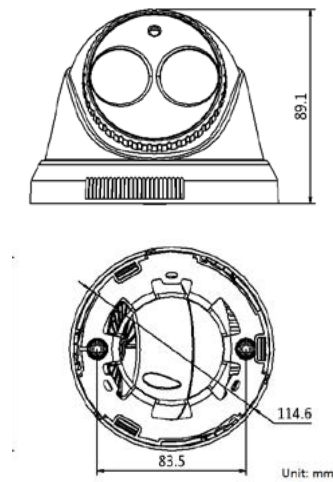
HD720P EXIR Turret Camera



Key features

- HD720P Video Output
- Adopt HDTVI Technology
- True Day/Night, Smart IR
- EXIR technology, 20/40m IR distance
- IP66 weatherproof

Dimensions



Accessories



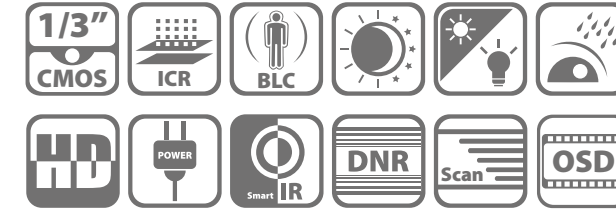
Available model

- DS-2CE56C2T-IT1
- DS-2CE56C2T-IT3

	DS-2CE56C5T-IT1	DS-2CE56C5T-IT3
Camera		
Image Sensor	1 / 3" Progressive Scan CMOS	
Effective Pixels	1280(H)*720(V)	
Min. Illumination	0.01 Lux @(F1.2,AGC ON), 0 Lux with IR	
Shutter speed	1/25(1/30) s to 1/50,000 s	
Lens	3.6mm (2.8mm, 6mm, 8mm optional)	3.6mm (2.8mm, 6mm, 8mm, 12mm, 16mm optional)
	Angle of View: 71.43°(3.6mm), 92.45°(2.8mm), 46.9°(6mm), 34.5°(8mm)	Angle of View: 76.88°(3.6mm), 99.73°(2.8mm), 50.1°(6mm), 36.8°(8mm), 24.33°(12mm), 18.4°(16mm)
Lens Mount	M12	
Angle Adjustment	Pan: 0 - 360°, Tilt: 0 - 90°, Rotation: 0 - 360°	
Day & Night	ICR	
Synchronization	Internal synchronization	
Video Frame Rate	720p@25fps/720p@30fps	
HD Video Output	1 Analog HD output	
CVBS Output	1Vp-p Composite Output(75Ω / BNC)	
S / N Ratio	More than 52dB	
General		
Working Temperature / Humidity	-40 °C - 60 °C (-40 °F - 140 °F) Humidity 90% or less (non-condensing)	
Power Supply	12 VDC	
Power Consumption	Max. 3W	Max. 4.5W
Weather Proof Ratings	IP66	
IR Range	Up to 20m	Up to 40m
Communication	Up the coax(need UTC controller) Protocol: Pelco-C(Coaxitron)	
Dimensions	Φ114.6 × 89.1mm(Φ4.5" × 3.5")	
Weight	300 g (0.66 lb)	

DS-2CE16C5T-IT1/IT3

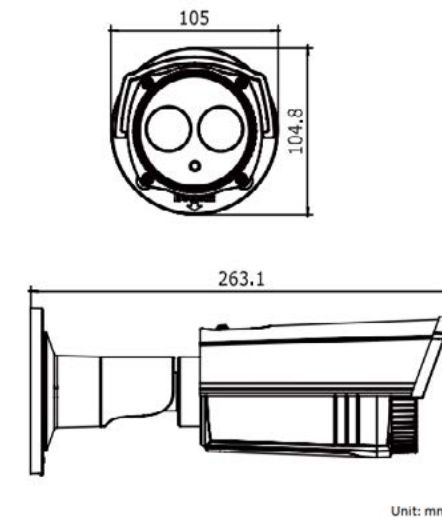
HD720P EXIR Low Light Bullet Camera



Key features

- HD720P Video Output
- Adopt HDTVI Technology
- True Day/Night
- OSD menu, 3D DNR, Smart IR
- EXIR technology, 20/40m IR distance
- IP66 weatherproof
- Low illumination
- Up the Coax(via coaxial cable)

Dimensions



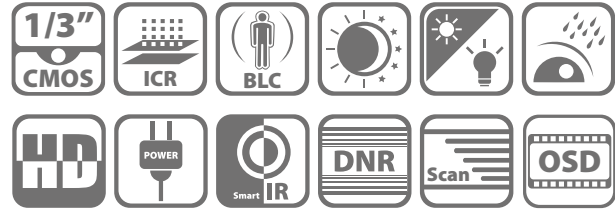
Available model

- DS-2CE16C5T-IT1
- DS-2CE16C5T-IT3

	DS-2CE16C5T-IT1	DS-2CE16C5T-IT3
Camera		
Image Sensor	1 / 3" Progressive Scan CMOS	
Signal System	PAL / NTSC	
Effective Pixels	1305(H)*1049(V)	
Min. Illumination	0.001 Lux @(F1.2,AGC ON), 0 Lux with IR	
Shutter speed	PAL: 1 / 50 s to 1 / 50,000 s	
	NTSC: 1 / 60 s to 1 / 50,000 s	
Lens	3.6mm (2.8mm, 6mm, 8mm optional)	3.6mm (2.8mm, 6mm, 8mm, 12mm, 16mm optional)
	Angle of View: 71.43°(3.6mm), 92.45°(2.8mm), 46.9°(6mm), 34.5°(8mm)	Angle of View: 71.43°(3.6mm), 92.45°(2.8mm), 46.9°(6mm), 34.5°(8mm), 22.81°(12mm), 17.2°(16mm)
Lens Mount	M12	
Day & Night	ICR	
Synchronization	Internal synchronization	
Video Frame Rate	720p@50fps / 720p@60fps	
HD Video Output	1 Analog HD output	
CVBS Output	1Vp-p Composite Output(75Ω / BNC)	
S / N Ratio	More than 62dB	
Menu		
Automatic Exposure	Globe AE / DWDR	
AGC	Low / Middle / High / Off	
Slow Shutter	Support	
White Balance	Auto / Manual	
D / N Mode	Color / BW / SMART IR	
3D DNR	Low / Middle / High / Off	
Motion Detection	Support, maximum 4 zones	
Privacy Mask	On / Off, maximum 8 zones	
UTC Function	Support	
Language	English / Chinese	
Function	Digital Wide Dynamic Range, 3D Digital Noise Reduction, Sharpness, Brightness, Digital Zoom, Mirror	
General		
Working Temperature / Humidity	-20 °C - 60 °C (-4 °F - 140 °F) Humidity 90% or less (non-condensing)	
Power Supply	12 VDC	
Power Consumption	Max. 3W	Max. 4.5W
Weather Proof Ratings	IP66	
IR Range	Up to 20m	Up to 40m
Communication	Up the coax(need UTC controller) Protocol: Pelco-C(Coaxitron)	
Dimensions	105×104.8×263.1mm(4.13"×4.13"×10.36")	
Weight	800 g (1.76 lb)	

DS-2CE16C5T-IT5

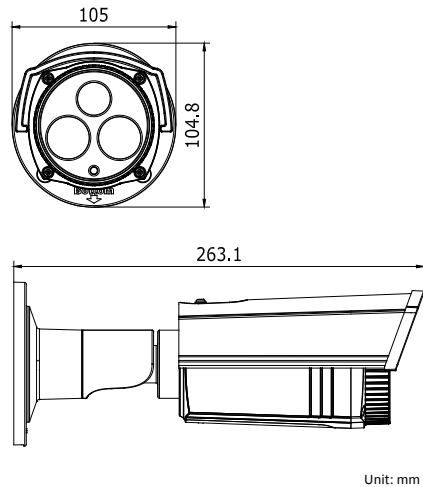
HD720P EXIR Low Light Bullet Camera



Key features

- HD720P Video Output
- Adopt HDTVI Technology
- True Day/Night
- OSD menu, 3D DNR, Smart IR
- EXIR technology, 80m IR distance
- IP66 weatherproof
- Low illumination
- Up the Coax(via coaxial cable)

Dimensions



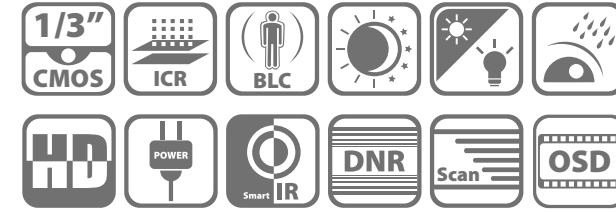
Available model

DS-2CE16C5T-IT5

	DS-2CE16C5T-IT5
Camera	
Image Sensor	1 / 3" Progressive Scan CMOS
Signal System	PAL / NTSC
Effective Pixels	1305(H)*1049(V)
Min. Illumination	0.001 Lux @(F1.2,AGC ON), 0 Lux with IR
Shutter speed	PAL: 1 / 50 s to 1 / 50,000 s NTSC: 1 / 60 s to 1 / 50,000 s
Lens	3.6mm (6mm, 8mm, 12mm, 16mm optional) Angle of View: 71.43°(3.6mm), 46.9°(6mm), 34.5°(8mm), 22.81°(12mm), 17.2°(16mm)
Lens Mount	M12
Day & Night	ICR
Synchronization	Internal synchronization
Video Frame Rate	720p@50fps / 720p@60fps
HD Video Output	1 Analog HD output
CVBS Output	1Vp-p Composite Output(75Ω / BNC)
S / N Ratio	More than 62dB
Menu	
Automatic Exposure	Globe AE / DWDR
AGC	Low / Middle / High / Off
Slow Shutter	Support
White Balance	Auto / Manual
D / N Mode	Color / BW / SMART IR
3D DNR	Low / Middle / High / Off
Motion Detection	Support, maximum 4 zones
Privacy Mask	On / Off, maximum 8 zones
UTC Function	Support
Language	English / Chinese
Function	Digital Wide Dynamic Range, 3D Digital Noise Reduction, Sharpness, Brightness, Digital Zoom, Mirror
General	
Working Temperature / Humidity	-20 °C - 60 °C (-4 °F - 140 °F) Humidity 90% or less (non-condensing)
Power Supply	12 VDC
Power Consumption	Max. 4.5W
Weather Proof Ratings	IP66
IR Range	Up to 80m
Communication	Up the coax(need UTC controller) Protocol: Pelco-C(Coaxitron)
Dimensions	105×104.8×263.1mm(4.13"×4.13"×10.36")
Weight	800 g (1.76 lbs)

DS-2CE56C5T-IT1/IT3

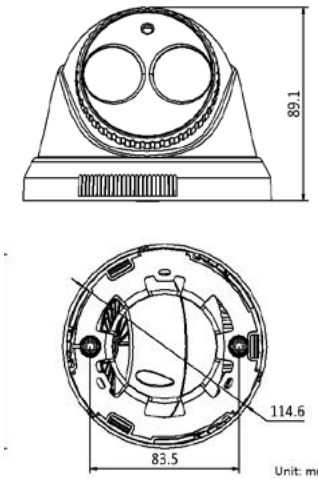
HD720P EXIR Low Light Turret Camera



Key features

- HD720P Video Output
- Adopt HDTVI Technology
- True Day/Night
- OSD menu, 3D DNR, Smart IR
- EXIR technology, 20/40m IR distance
- IP66 weatherproof
- Low illumination
- Up the Coax(via coaxial cable)

Dimensions



Accessories



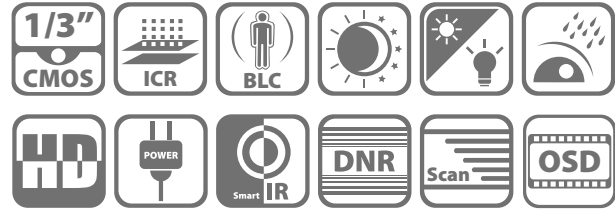
Available model

DS-2CE56C5T-IT3

	DS-2CE56C5T-IT1	DS-2CE56C5T-IT3
Camera		
Image Sensor	1 / 3" Progressive Scan CMOS	
Signal System	PAL / NTSC	
Effective Pixels	1305(H)*1049(V)	
Min. Illumination	0.001 Lux @(F1.2,AGC ON), 0 Lux with IR	
Shutter speed	PAL: 1 / 50 s to 1 / 50,000 s NTSC: 1 / 60 s to 1 / 50,000 s	
Lens	3.6mm (2.8mm, 6mm, 8mm optional) Angle of View: 71.43°(3.6mm), 92.45°(2.8mm), 46.9°(6mm), 34.5°(8mm)	3.6mm (2.8mm, 6mm, 8mm, 12mm, 16mm optional) Angle of View: 71.43°(3.6mm), 92.45°(2.8mm), 46.9°(6mm), 34.5°(8mm), 22.81°(12mm), 17.2°(16mm)
Lens Mount	M12	
Angle Adjustment	Pan: 0 - 360°, Tilt: 0 - 90°, Rotation: 0 - 360°	
Day & Night	ICR	
Synchronization	Internal synchronization	
Video Frame Rate	720p@50fps / 720p@60fps	
HD Video Output	1 Analog HD output	
CVBS Output	1Vp-p Composite Output(75Ω / BNC)	
S / N Ratio	More than 62dB	
Menu		
Automatic Exposure	Globe AE / DWDR	
AGC	Low / Middle / High / Off	
Slow Shutter	Support	
White Balance	Auto / Manual	
D / N Mode	Color / BW / SMART IR	
3D DNR	Low / Middle / High / Off	
Motion Detection	Support, maximum 4 zones	
Privacy Mask	On / Off, maximum 8 zones	
UTC Function	Support	
Language	English / Chinese	
Function	Digital Wide Dynamic Range, 3D Digital Noise Reduction, Sharpness, Brightness, Digital Zoom, Mirror	
General		
Working Temperature / Humidity	-20 °C - 60 °C (-4 °F - 140 °F) Humidity 90% or less (non-condensing)	
Power Supply	12 VDC	
Power Consumption	Max. 3W	Max. 4.5W
Weather Proof Ratings	IP66	
IR Range	Up to 20m	Up to 40m
Communication	Up the coax(need UTC controller) Protocol: Pelco-C(Coaxitron)	
Dimensions	φ114.6 × 89.1mm(φ4.5" × 3.5")	
Weight	300 g (0.66 lb)	

DS-2CE56C5T-(A)VPIR3

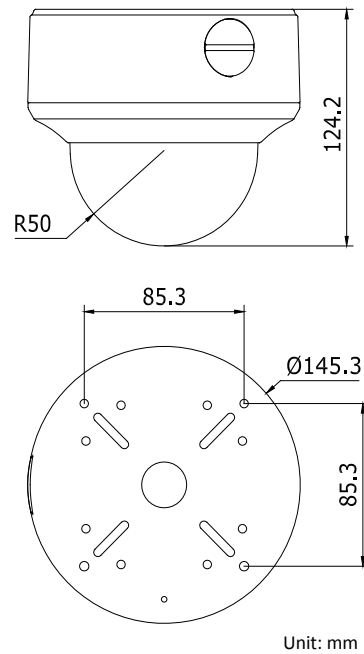
HD720P Outdoor Vandal Proof Camera



Key features

- HD720P Video Output
- Adopt HDTVI Technology
- True Day/Night
- 2.8 - 12mm vari-focal lens
- OSD menu, 3D DNR, Smart IR
- Up to 40m IR distance
- IP66 weatherproof & Vandal Proof
- Low illumination
- Up the Coax(via coaxial cable)

Dimensions



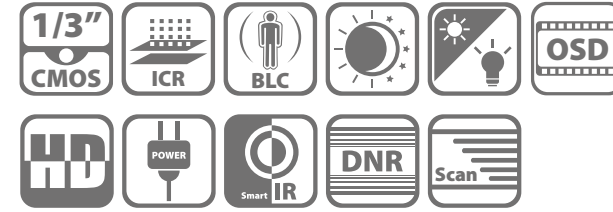
Available model

- DS-2CE56C5T-AVPIR3
- DS-2CE56C5T-VPIR3

DS-2CE56C5T-(A)VPIR3	
Camera	
Image Sensor	1 / 3" Progressive Scan CMOS
Signal System	PAL / NTSC
Effective Pixels	1305(H)*1049(V)
Min. Illumination	0.001 Lux @(F1.2,AGC ON), 0 Lux with IR
Shutter speed	PAL: 1 / 50 s to 1 / 50,000 s NTSC: 1 / 60 s to 1 / 50,000 s
Lens	2.8-12mm @ F1.4 Angle of view: 78° - 28°
Lens Mount	φ14
Angle Adjustment	Pan: 0 - 355°, Tilt: 0 - 80°, Rotation: ± 90°
Day & Night	ICR
Synchronization	Internal synchronization
Video Frame Rate	720p@50fps / 720p@60fps
HD Video Output	1 Analog HD output
CVBS Output	1Vp-p Composite Output(75Ω / BNC)
S / N Ratio	More than 62dB
Menu	
Automatic Exposure	Globe AE / DWDR
AGC	Low / Middle / High / Off
Slow Shutter	Support
White Balance	Auto / Manual
D / N Mode	Color / BW / SMART IR
3D DNR	Low / Middle / High / Off
Motion Detection	Support, maximum 4 zones
Privacy Mask	On / Off, maximum 8 zones
UTC Function	Support
Language	English / Chinese
Function	Digital Wide Dynamic Range, 3D Digital Noise Reduction, Sharpness, Brightness, Digital Zoom, Mirror
General	
Working Temperature / Humidity	-20 °C - 60 °C (-4 °F - 140 °F) Humidity 90% or less (non-condensing)
Power Supply	12 VDC ; -A: 12 VDC, 24 VAC
Power Consumption	12 VDC: Max. 3.5W ; 24 VAC: Max. 5W
Weather Proof Ratings	IP66
IR Range	Up to 40m
Impact Protection	IEC60068-2-75 test, Eh, 20J; EN50102, up to IK10.
Communication	Up the coax(need UTC controller) Protocol: Pelco-C(Coaxitron)
Dimensions	Φ 145.3 × 124.2 mm (Φ 5.72" × 4.89")
Weight	880 g (1.95 lb)

DS-2CE56C5T-(A)VFIR

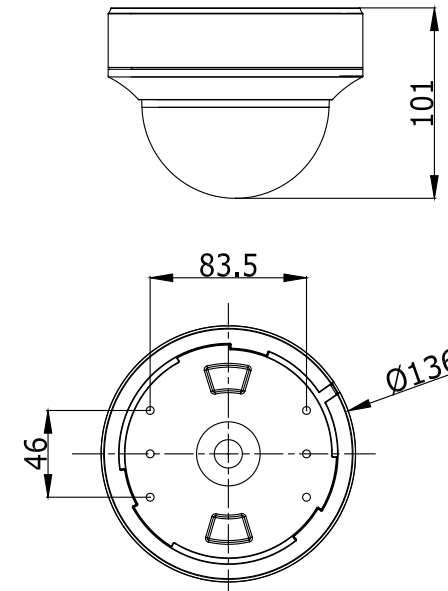
HD720P Indoor Vari-focal IR Camera



Key features

- HD720P Video Output
- Adopt HDTVI Technology
- True Day/Night
- 2.8 - 12mm vari-focal lens
- OSD menu, 3D DNR, Smart IR
- Up to 30m IR distance
- Low illumination
- Up the Coax(via coaxial cable)

Dimensions



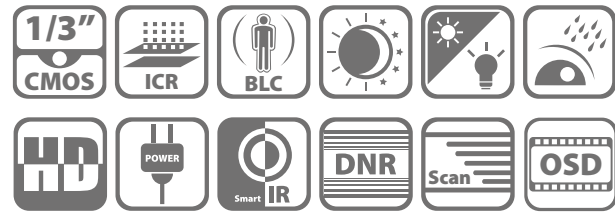
Available model

- DS-2CE56C5T-VFIR,
- DS-2CE56C5T-AVFIR

DS-2CE56C5T-(A)VFIR	
Camera	
Image Sensor	1 / 3" Progressive Scan CMOS
Signal System	PAL / NTSC
Effective Pixels	1305(H)*1049(V)
Min. Illumination	0.001 Lux @(F1.2,AGC ON), 0 Lux with IR
Shutter speed	PAL: 1 / 50 s to 1 / 50,000 s NTSC: 1 / 60 s to 1 / 50,000 s
Lens	2.8-12mm @ F1.4 Angle of view: 78° - 28°
Lens Mount	φ14
Angle Adjustment	Pan: 0 - 355°, Tilt: 0 - 180°, Rotation: 0 - 355°
Day & Night	ICR
Synchronization	Internal synchronization
Video Frame Rate	720p@50fps / 720p@60fps
HD Video Output	1 Analog HD output
CVBS Output	1Vp-p Composite Output(75Ω / BNC)
S / N Ratio	More than 62dB
Menu	
Automatic Exposure	Globe AE / DWDR
AGC	Low / Middle / High / Off
Slow Shutter	Support
White Balance	Auto / Manual
D / N Mode	Color / BW / SMART IR
3D DNR	Low / Middle / High / Off
Motion Detection	Support, maximum 4 zones
Privacy Mask	On / Off, maximum 8 zones
UTC Function	Support
Language	English / Chinese
Function	Digital Wide Dynamic Range, 3D Digital Noise Reduction, Sharpness, Brightness, Digital Zoom, Mirror
General	
Working Temperature / Humidity	-20 °C - 60 °C (-4 °F - 140 °F) Humidity 90% or less (non-condensing)
Power Supply	12 VDC ; -A: 12 VDC, 24 VAC
Power Consumption	12 VDC: Max. 3.5W ; 24 VAC: Max. 5W
IR Range	Up to 30m
Communication	Up the coax(need UTC controller) Protocol: Pelco-C(Coaxitron)
Dimensions	Φ 136 × 101 mm (Φ 5.35" × 3.98")
Weight	380 g (0.84 lb)

DS-2CE56C5T-VFIT3

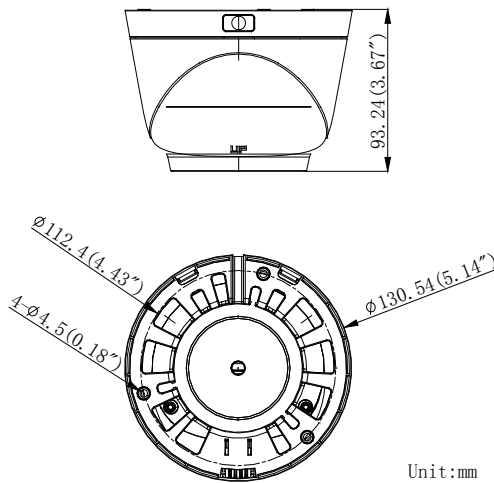
HD720P Outdoor Vari-focal EXIR Turret Camera



Key features

- HD720P Video Output
- Adopt HDTVI Technology
- True Day/Night
- 2.8 - 12mm vari-focal lens
- OSD menu, 3D DNR, Smart IR
- EXIR technology, 50m IR distance
- Low illumination
- Up the Coax(via coaxial cable)

Dimensions



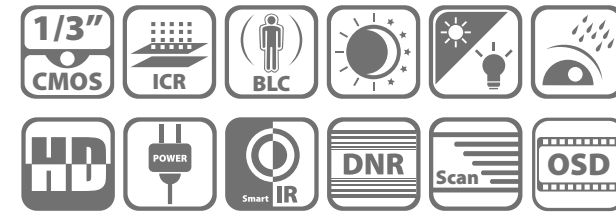
Available model

DS-2CE56C5T-VFIT3

DS-2CE56C5T-VFIT3	
Camera	
Image Sensor	1 / 3" Progressive Scan CMOS
Signal System	PAL / NTSC
Effective Pixels	1305(H)*1049(V)
Min. Illumination	0.001 Lux @ (F1.2,AGC ON),0 Lux with IR 0.0014 Lux @ (F1.4,AGC ON),0 Lux with IR
Shutter speed	PAL: 1 / 50 s to 1 / 50,000 s NTSC: 1 / 60 s to 1 / 50,000 s
Lens	2.8-12mm @ F1.4 Angle of view: 78° - 28°
Lens Mount	φ14
Angle Adjustment	Pan: 0 - 355°, Tilt: 0 - 90°, Rotation: 0 - 355°
Day & Night	ICR
Synchronization	Internal synchronization
Video Frame Rate	720p@50fps / 720p@60fps
HD Video Output	1 Analog HD output
CVBS Output	1Vp-p Composite Output(75Ω / BNC)
S / N Ratio	More than 62dB
Menu	
Automatic Exposure	Globe AE / DWDR
AGC	Low / Middle / High / Off
Slow Shutter	Support
White Balance	Auto / Manual
D / N Mode	Color / BW / SMART IR
3D DNR	Low / Middle / High / Off
Motion Detection	Support, maximum 4 zones
Privacy Mask	On / Off, maximum 8 zones
UTC Function	Support
Language	English / Chinese
Function	Digital Wide Dynamic Range, 3D Digital Noise Reduction, Sharpness, Brightness, Digital Zoom, Mirror
General	
Working Temperature / Humidity	-20 °C - 60 °C (-4 °F - 140 °F) Humidity 90% or less (non-condensing)
Power Supply	12 VDC
Power Consumption	Max. 6W
Weather Proof Ratings	IP66
IR Range	Up to 50m
Communication	Up the coax(need UTC controller) Protocol: Pelco-C(Coaxitron)
Dimensions	Φ 130.54 × 93.24 mm (Φ 5.14" × 3.67")
Weight	380 g (0.84 lb)

DS-2CE16C5T-(A)V FIR3

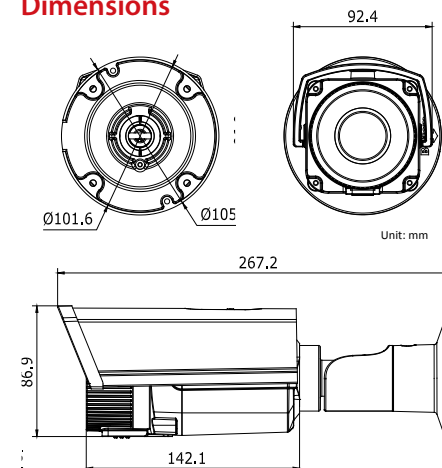
HD720P Outdoor Vari-focal IR Bullet Camera



Key features

- HD720P Video Output
- Adopt HDTVI Technology
- True Day/Night
- 2.8 - 12mm vari-focal lens
- OSD menu, 3D DNR, Smart IR
- Up to 40m IR distance
- Low illumination
- Up the Coax(via coaxial cable)

Dimensions



Accessories



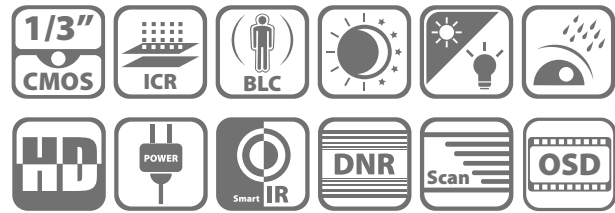
Available model

DS-2CE16C5T-VFIR3
DS-2CE16C5T-AVFIR3

DS-2CE16C5T-(A)V FIR3	
Camera	
Image Sensor	1 / 3" Progressive Scan CMOS
Signal System	PAL / NTSC
Effective Pixels	1305(H)*1049(V)
Min. Illumination	0.001 Lux @(F1.2,AGC ON), 0 Lux with IR
Shutter speed	PAL: 1 / 50 s to 1 / 50,000 s NTSC: 1 / 60 s to 1 / 50,000 s
Lens	2.8-12mm @ F1.4 Angle of view: 78° - 28°
Lens Mount	φ14
Day & Night	ICR
Synchronization	Internal synchronization
Video Frame Rate	720p@50fps / 720p@60fps
HD Video Output	1 Analog HD output
CVBS Output	1Vp-p Composite Output(75Ω / BNC)
S / N Ratio	More than 62dB
Menu	
Automatic Exposure	Globe AE / DWDR
AGC	Low / Middle / High / Off
Slow Shutter	Support
White Balance	Auto / Manual
D / N Mode	Color / BW / SMART IR
3D DNR	Low / Middle / High / Off
Motion Detection	Support, maximum 4 zones
Privacy Mask	On / Off, maximum 8 zones
UTC Function	Support
Language	English / Chinese
Function	Digital Wide Dynamic Range, 3D Digital Noise Reduction, Sharpness, Brightness, Digital Zoom, Mirror
General	
Working Temperature / Humidity	-20 °C - 60 °C (-4 °F - 140 °F) Humidity 90% or less (non-condensing)
Power Supply	12 VDC ; -A: 12 VDC, 24 VAC
Power Consumption	12 VDC: Max. 4W ; 24 VAC: Max. 6W
Weather Proof Ratings	IP66
IR Range	Up to 40m
Communication	Up the coax(need UTC controller) Protocol: Pelco-C(Coaxitron)
Dimensions	105 × 86.9 × 267.2mm(φ 4.13" × 3.42" × 10.52")
Weight	1350g (2.97 lb)

DS-2CE16D5T-IR

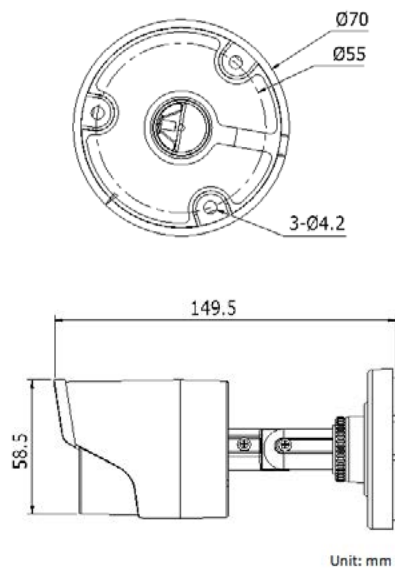
HD1080P Bullet Camera



Key features

- HD1080P Video Output
- Adopt HDTVI Technology
- True Day/Night
- OSD menu, 3D DNR, Smart IR
- 20m IR distance
- IP66 weatherproof
- Up the Coax(via coaxial cable)

Dimensions



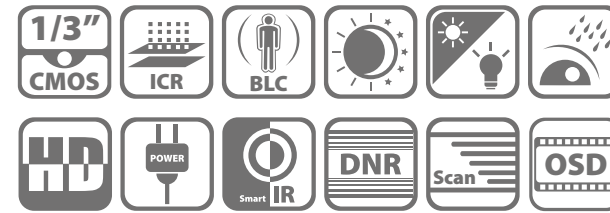
Available model

DS-2CE16D5T-IR

DS-2CE16D5T-IR	
Camera	
Image Sensor	1 / 3" Progressive Scan CMOS
Signal System	PAL / NTSC
Effective Pixels	1920(H)*1080(V)
Min. Illumination	0.01 Lux @ (F1.2,AGC ON),0 Lux with IR 0.014 Lux @ (F1.4,AGC ON),0 Lux with IR
Shutter Time	1 / 25 s to 1 / 50,000 s
Lens	3.6mm (6mm optional) Angle of View: 80.9°(3.6mm), 54.3°(6mm)
Lens Mount	M12
Day & Night	ICR
Angle Adjustment	Pan: 0 - 360°, Tilt: 0 - 90°, Rotation: 0 - 360°
Synchronization	Internal synchronization
Video Frame Rate	1080p@25fps / 1080p@30fps
HD Video Output	1 Analog HD output
CVBS Output	1Vp-p Composite Output(75Ω / BNC)
S / N Ratio	More than 52dB
Menu	
Scene	Indoor, Outdoor, Indoor1, LOW-LIGHT
Camera ID	On / off (15 characters, position programmable)
AGC	Support
D / N Mode	Color / BW / EXT
White Balance	ATW, AWC-SET, Indoor, Outdoor, Manual
Privacy Mask	On / Off, maximum 8 zones
Motion Detection	On / Off, maximum 4 zones
BLC	Support
Anti-flicker	On / off
Language	English, Japanese, CHN1, CHN2, Korean, German, French, Italian, Spanish, Polish, Russian, Portuguese, Dutch, Turkish, Hebrew and Arabic
Functions	Eclipse, Digital noise reduction, Digital zoom(62x), Slow shutter, Mirror, Defog, Defect pixel correction, SMART D-ZOOM
General	
Working Temperature / Humidity	-20 °C - 60 °C (-4 °F - 140 °F) Humidity 90% or less (non-condensing)
Power Supply	12 VDC
Power Consumption	Max. 4W
Weather Proof Ratings	IP66
IR Range	Up to 20m
Communication	Up the coax(need UTC controller) Protocol: Pelco-C(Coaxitron)
Dimensions	φ70x149.5 mm (φ2.76" x 5.89")
Weight	360 g (0.79 lb)

DS-2CE56D5T-IRM

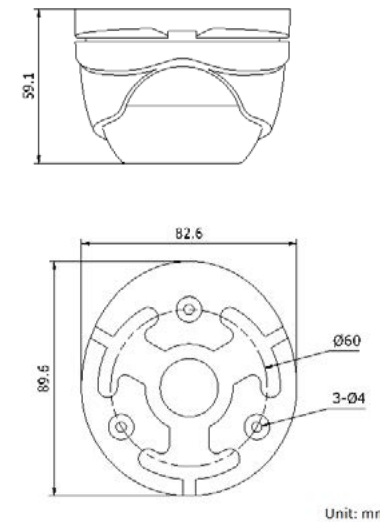
HD1080P Turret Camera



Key features

- HD1080P Video Output
- Adopt HDTVI Technology
- True Day/Night
- OSD menu, 3D DNR, Smart IR
- 20m IR distance
- IP66 weatherproof
- Up the Coax(via coaxial cable)

Dimensions



Accessories



Indoor / outdoor wall mount
DS-1272ZJ-110-TRS

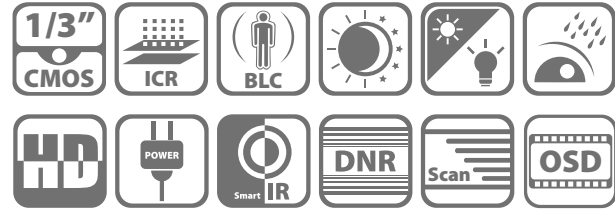
Available model

DS-2CE56D5T-IRM

DS-2CE56D5T-IRM	
Camera	
Image Sensor	1 / 3" Progressive Scan CMOS
Signal System	PAL / NTSC
Effective Pixels	1920(H)*1080(V)
Min. Illumination	0.01 Lux @(F1.2,AGC ON), 0 Lux with IR
Shutter Time	1 / 25(1 / 30) s to 1 / 50,000 s
Lens	3.6mm (2.8mm, 6mm optional) Angle of View: 80.9°(3.6mm), 103.5°(2.8mm), 54.3°(6mm)
Lens Mount	M12
Angle Adjustment	Pan: 0 - 360°, Tilt: 0 - 90°, Rotation: 0 - 360°
Day & Night	ICR
Synchronization	Internal synchronization
Video Frame Rate	1080p@25fps / 1080p@30fps
HD Video Output	1 Analog HD output
CVBS Output	1Vp-p Composite Output(75Ω / BNC)
S / N Ratio	More than 52dB
Menu	
Scene	Indoor, Outdoor, Indoor1, LOW-LIGHT
Camera ID	On / off (15 characters, position programmable)
AGC	Support
D / N Mode	Color / BW / EXT
White Balance	ATW, AWC-SET, Indoor, Outdoor, Manual
Privacy Mask	On / Off, maximum 8 zones
Motion Detection	On / Off, maximum 4 zones
BLC	Support
Anti-flicker	On / off
Language	English, Japanese, CHN1, CHN2, Korean, German, French, Italian, Spanish, Polish, Russian, Portuguese, Dutch, Turkish, Hebrew and Arabic
Functions	Eclipse, Digital noise reduction, Digital zoom(62x), Slow shutter, Mirror, Defog, Defect pixel correction, SMART D-ZOOM
General	
Working Temperature / Humidity	-20 °C - 60 °C (-4 °F - 140 °F) Humidity 90% or less (non-condensing)
Power Supply	12 VDC
Power Consumption	Max. 4W
Weather Proof Ratings	IP66
IR Range	Up to 20m
Communication	Up the coax(need UTC controller) Protocol: Pelco-C(Coaxitron)
Dimensions	89.6 x 59.1 mm (3.53" x 2.33")
Weight	400 g (0.88 lb)

DS-2CE16D5T-IT1/IT3

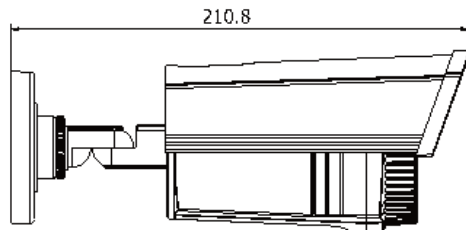
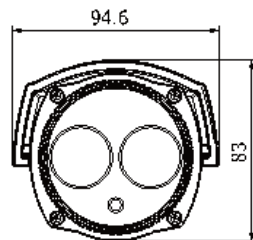
HD1080P EXIR Bullet Camera



Key features

- HD1080P Video Output
- Adopt HDTVI Technology
- True Day/Night
- OSD menu, 3D DNR, Smart IR
- EXIR technology, 20/40m IR distance
- IP66 weatherproof
- Up the Coax(via coaxial cable)

Dimensions



Unit: mm

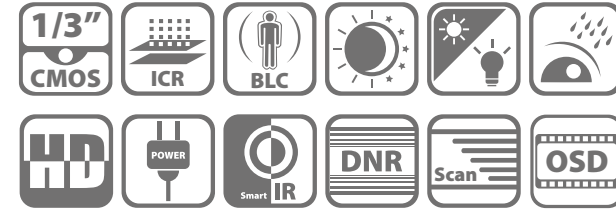
Available model

- DS-2CE16D5T-IT1
- DS-2CE16D5T-IT3

	DS-2CE16D5T-IT1	DS-2CE16D5T-IT3
Camera		
Image Sensor	1 / 3" Progressive Scan CMOS	
Signal System	PAL / NTSC	
Effective Pixels	1920(H)*1080(V)	
Min. Illumination	0.01 Lux @(F1.2,AGC ON), 0 Lux with IR	
Shutter speed	1/25(1/30) s to 1/50,000 s	
Lens	3.6mm (2.8mm, 6mm, 8mm optional)	3.6mm (2.8mm, 6mm, 8mm, 12mm, 16mm optional)
	Angle of View: 80.9°(3.6mm), 103.5°(2.8mm), 54.3°(6mm), 38°(8mm)	Angle of View: 80.9°(3.6mm), 103.5°(2.8mm), 54.3°(6mm), 38°(8mm), 24.3°(12mm), 18.9°(16mm)
Lens Mount	M12	
Day & Night	ICR	
Synchronization	Internal synchronization	
Video Frame Rate	1080p@25fps/1080p@30fps	
HD Video Output	1 Analog HD output	
CVBS Output	1Vp-p Composite Output(75Ω / BNC)	
S / N Ratio	More than 52dB	
Menu		
Scene	Indoor, Outdoor, Indoor1, LOW-LIGHT	
Camera ID	On/off (15 characters, position programmable)	
AGC	Support	
D/N Mode	Color/BW/EXT	
White Balance	ATW, AWC-SET, Indoor, Outdoor, Manual	
Privacy Mask	On/Off, maximum 8 zones	
Motion Detection	On/Off, maximum 4 zones	
BLC	Support	
Anti-flicker	On/off	
Language	English, Japanese, CHN1, CHN2, Korean, German, French, Italian, Spanish, Polish, Russian, Portuguese, Dutch, Turkish, Hebrew and Arabic	
Function	Eclipse, Digital noise reduction, Digital zoom(62x), Slow shutter, Mirror, Defog, Defect pixel correction, SMART D-ZOOM	
General		
Working Temperature / Humidity	-20 °C - 60 °C (-4 °F - 140 °F) Humidity 90% or less (non-condensing)	
Power Supply	12 VDC	
Power Consumption	Max. 4W	Max. 5W
Weather Proof Ratings	IP66	
IR Range	Up to 20m	Up to 40m
Communication	Up the coax(need UTC controller) Protocol: Pelco-C(Coaxitron)	
Dimensions	94.6x83x210.8mm(3.72"x3.27"x8.30")	
Weight	700 g (1.54 lbs)	

DS-2CE16D5T-IT5

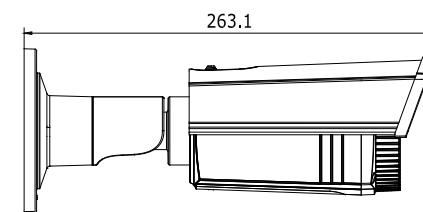
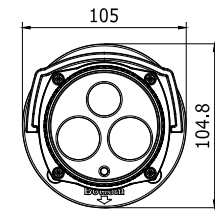
HD1080P EXIR Bullet Camera



Key features

- HD1080P Video Output
- Adopt HDTVI Technology
- True Day/Night
- OSD menu, 3D DNR, Smart IR
- EXIR technology, 80m IR distance
- IP66 weatherproof
- Up the Coax(via coaxial cable)

Dimensions



Unit: mm

Accessories



Indoor/Outdoor pole mount
DS-1275ZJ

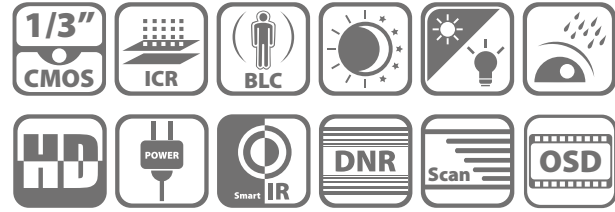
Available model

- DS-2CE16D5T-IT5

	DS-2CE16D5T-IT5
Camera	
Image Sensor	1 / 3" Progressive Scan CMOS
Signal System	PAL / NTSC
Effective Pixels	1920(H)*1080(V)
Min. Illumination	0.01 Lux @(F1.2,AGC ON), 0 Lux with IR
Shutter speed	1/25(1/30) s to 1/50,000 s
Lens	3.6mm (6mm, 8mm, 12mm, 16mm optional)
	Angle of View: 80.9°(3.6mm), 54.3°(6mm), 38°(8mm), 24.3°(12mm), 18.9°(16mm)
Lens Mount	M12
Day & Night	ICR
Synchronization	Internal synchronization
Video Frame Rate	1080p@25fps/1080p@30fps
HD Video Output	1 Analog HD output
CVBS Output	1Vp-p Composite Output(75Ω / BNC)
S / N Ratio	More than 52dB
Menu	
Scene	Indoor, Outdoor, Indoor1, LOW-LIGHT
Camera ID	On/off (15 characters, position programmable)
AGC	Support
D/N Mode	Color/BW/EXT
White Balance	ATW, AWC-SET, Indoor, Outdoor, Manual
Privacy Mask	On/Off, maximum 8 zones
Motion Detection	On/Off, maximum 4 zones
BLC	Support
Anti-flicker	On/off
Language	English, Japanese, CHN1, CHN2, Korean, German, French, Italian, Spanish, Polish, Russian, Portuguese, Dutch, Turkish, Hebrew and Arabic
Function	Eclipse, Digital noise reduction, Digital zoom(62x), Slow shutter, Mirror, Defog, Defect pixel correction, SMART D-ZOOM
General	
Working Temperature / Humidity	-20 °C - 60 °C (-4 °F - 140 °F) Humidity 90% or less (non-condensing)
Power Supply	12 VDC
Power Consumption	Max. 5W
Weather Proof Ratings	IP66
IR Range	Up to 80m
Communication	Up the coax(need UTC controller) Protocol: Pelco-C(Coaxitron)
Dimensions	105x104.8x263.1mm(4.13"x4.13"x10.36")
Weight	800 g (1.76 lbs)

DS-2CE56D5T-IT1/IT3

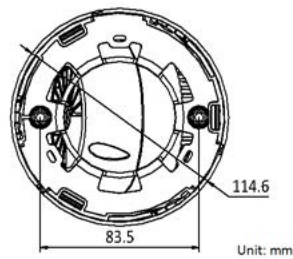
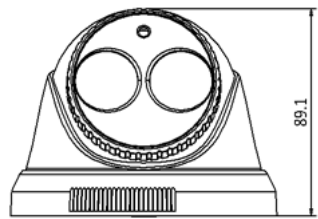
HD1080P EXIR Turret Camera



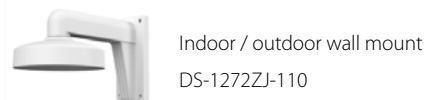
Key features

- HD1080P Video Output
- Adopt HDTVI Technology
- True Day/Night
- OSD menu, 3D DNR, Smart IR
- EXIR technology, 20/40m IR distance
- IP66 weatherproof
- Up the Coax(via coaxial cable)

Dimensions



Accessories



Indoor / outdoor wall mount
DS-1272ZJ-110



Indoor wall mount
DS-1258ZJ

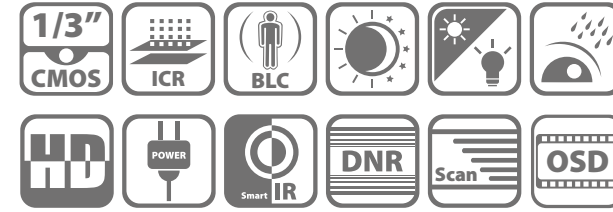
Available model

- DS-2CE56D5T-IT1
- DS-2CE56D5T-IT3

	DS-2CE56D5T-IT1	DS-2CE56D5T-IT3
Camera		
Image Sensor	1 / 3" Progressive Scan CMOS	
Signal System	PAL / NTSC	
Effective Pixels	1920(H)*1080(V)	
Min. Illumination	0.01 Lux @(F1.2,AGC ON), 0 Lux with IR	
Shutter speed	1/25(1/30) s to 1/50,000 s	
Lens	3.6mm (2.8mm, 6mm, 8mm optional) Angle of View: 80.9°(3.6mm), 103.5°(2.8mm), 54.3°(6mm), 38°(8mm)	3.6mm (2.8mm, 6mm, 8mm, 12mm, 16mm optional) Angle of View: 80.9°(3.6mm), 103.5°(2.8mm), 54.3°(6mm), 38°(8mm), 24.3°(12mm), 18.9°(16mm)
Lens Mount	M12	
Angle Adjustment	Pan: 0 - 360°, Tilt: 0 - 90°, Rotation: 0 - 360°	
Day & Night	ICR	
Synchronization	Internal synchronization	
Video Frame Rate	1080p@25fps/1080p@30fps	
HD Video Output	1 Analog HD output	
CVBS Output	1Vp-p Composite Output(75Ω / BNC)	
S / N Ratio	More than 52dB	
Menu		
Scene	Indoor, Outdoor, Indoor1, LOW-LIGHT	
Camera ID	On/off (15 characters, position programmable)	
AGC	Support	
D/N Mode	Color/BW/EXT	
White Balance	ATW, AWC-SET, Indoor, Outdoor, Manual	
Privacy Mask	On/Off, maximum 8 zones	
Motion Detection	On/Off, maximum 4 zones	
BLC	Support	
Anti-flicker	On/off	
Language	English, Japanese, CHN1, CHN2, Korean, German, French, Italian, Spanish, Polish, Russian, Portuguese, Dutch, Turkish, Hebrew and Arabic	
Function	Eclipse, Digital noise reduction, Digital zoom(62x), Slow shutter, Mirror, Defog, Defect pixel correction, SMART D-ZOOM	
General		
Working Temperature / Humidity	-20 °C - 60 °C (-4 °F - 140 °F) Humidity 90% or less (non-condensing)	
Power Supply	12 VDC	
Power Consumption	Max. 4W	Max. 5W
Weather Proof Ratings	IP66	
IR Range	Up to 20m	Up to 40m
Communication	Up the coax(need UTC controller) Protocol: Pelco-C(Coaxitron)	
Dimensions	Φ114.6 × 89.1mm(Φ4.5" × 3.5")	
Weight	300 g (0.66 lb)	

DS-2CE56D5T-(A)VPIR3

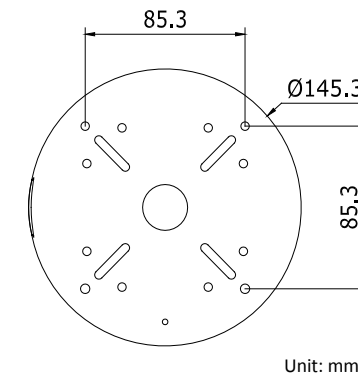
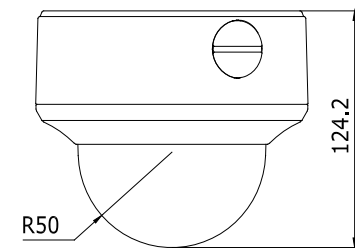
HD1080P Outdoor Vandal Proof Camera



Key features

- HD1080P Video Output
- Adopt HDTVI Technology
- True Day/Night
- 2.8 - 12mm vari-focal lens
- OSD menu, 3D DNR, Smart IR
- Up to 40m IR distance
- IP66 weatherproof & Vandal Proof
- Up the Coax(via coaxial cable)

Dimensions



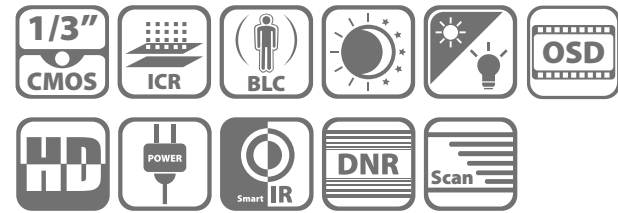
Available model

- DS-2CE56D5T-AVPIR3
- DS-2CE56D5T-VPIR3

	DS-2CE56D5T-(A)VPIR3
Camera	
Image Sensor	1 / 3" Progressive Scan CMOS
Signal System	PAL / NTSC
Effective Pixels	1920(H)*1080(V)
Min. Illumination	0.01 Lux @ (F1.2,AGC ON),0 Lux with IR 0.014 Lux @ (F1.4,AGC ON),0 Lux with IR
Shutter speed	1/25(1/30) s to 1/50,000 s
Lens	2.8-12mm @ F1.4 Angle of view: 92° - 32°
Lens Mount	φ14
Angle Adjustment	Pan: 0 - 355°, Tilt: 0 - 80°, Rotation: ± 90°
Day & Night	ICR
Synchronization	Internal synchronization
Video Frame Rate	1080p@25fps/1080p@30fps
HD Video Output	1 Analog HD output
CVBS Output	1Vp-p Composite Output(75Ω / BNC)
S / N Ratio	More than 52dB
Menu	
Scene	Indoor, Outdoor, Indoor1, LOW-LIGHT
Camera ID	On/off (15 characters, position programmable)
AGC	Support
D/N Mode	Color/BW/EXT
White Balance	ATW, AWC-SET, Indoor, Outdoor, Manual
Privacy Mask	On/Off, maximum 8 zones
Motion Detection	On/Off, maximum 4 zones
BLC	Support
Anti-flicker	On/off
Language	English, Japanese, CHN1, CHN2, Korean, German, French, Italian, Spanish, Polish, Russian, Portuguese, Dutch, Turkish, Hebrew and Arabic
Function	Eclipse, Digital noise reduction, Digital zoom(62x), Slow shutter, Mirror, Defog, Defect pixel correction, SMART D-ZOOM
General	
Working Temperature / Humidity	-20 °C - 60 °C (-4 °F - 140 °F) Humidity 90% or less (non-condensing)
Power Supply	12 VDC ; -A: 12 VDC, 24 VAC
Power Consumption	12 VDC: Max. 4.5W ; 24 VAC: Max. 6.5W
Weather Proof Ratings	IP66
IR Range	Up to 40m
Impact Protection	IEC60068-2-75 test, Eh, 20J; EN50102, up to IK10.
Communication	Up the coax(need UTC controller) Protocol: Pelco-C(Coaxitron)
Dimensions	Φ 145.3 × 124.2 mm (Φ 5.72" × 4.89")
Weight	880 g (1.95 lb)

DS-2CE56D5T-(A)V FIR

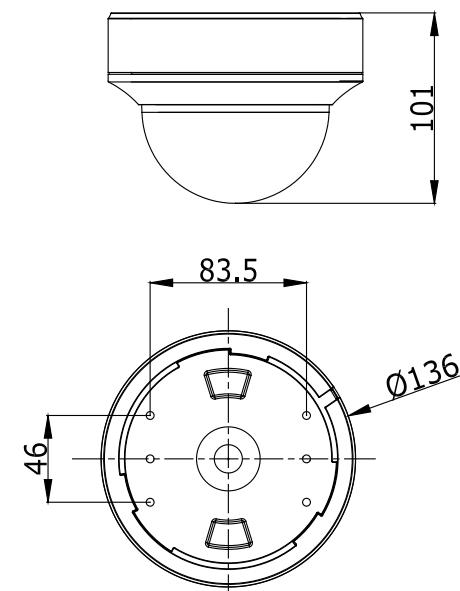
HD1080P Indoor Vari-focal IR Camera



Key features

- HD1080P Video Output
- Adopt HDTVI Technology
- True Day/Night
- 2.8 - 12mm vari-focal lens
- OSD menu, 3D DNR, Smart IR
- Up to 30m IR distance
- Up the Coax(via coaxial cable)

Dimensions



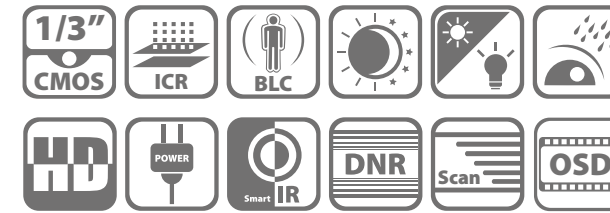
Available model

- DS-2CE56D5T-VFIR
- DS-2CE56D5T-AVFIR

DS-2CE56D5T-(A)V FIR	
Camera	
Image Sensor	1 / 3" Progressive Scan CMOS
Signal System	PAL / NTSC
Effective Pixels	1920(H)*1080(V)
Min. Illumination	0.01 Lux @ (F1.2,AGC ON),0 Lux with IR 0.014 Lux @ (F1.4,AGC ON),0 Lux with IR
Shutter speed	1/25(1/30) s to 1/50,000 s
Lens	2.8-12mm @ F1.4 Angle of view: 92° - 32°
Lens Mount	φ14
Angle Adjustment	Pan: 0 - 355°, Tilt: 0 - 180°, Rotation: 0 - 355°
Day & Night	ICR
Synchronization	Internal synchronization
Video Frame Rate	1080p@25fps/1080p@30fps
HD Video Output	1 Analog HD output
CVBS Output	1Vp-p Composite Output(75Ω / BNC)
S / N Ratio	More than 52dB
Menu	
Scene	Indoor, Outdoor, Indoor1, LOW-LIGHT
Camera ID	On/off (15 characters, position programmable)
AGC	Support
D/N Mode	Color/BW/EXT
White Balance	ATW, AWC-SET, Indoor, Outdoor, Manual
Privacy Mask	On/Off, maximum 8 zones
Motion Detection	On/Off, maximum 4 zones
BLC	Support
Anti-flicker	On/off
Language	English, Japanese, CHN1, CHN2, Korean, German, French, Italian, Spanish, Polish, Russian, Portuguese, Dutch, Turkish, Hebrew and Arabic
Function	Eclipse, Digital noise reduction, Digital zoom(62x), Slow shutter, Mirror, Defog, Defect pixel correction, SMART D-ZOOM
General	
Working Temperature / Humidity	-20 °C - 60 °C (-4 °F - 140 °F) Humidity 90% or less (non-condensing)
Power Supply	12 VDC ; -A: 12 VDC, 24 VAC
Power Consumption	12 VDC: Max. 4.5W ; 24 VAC: Max. 6.5W
IR Range	Up to 30m
Communication	Up the coax(need UTC controller) Protocol: Pelco-C(Coaxitron)
Dimensions	Φ 136 × 101 mm (Φ 5.35" × 3.98")
Weight	380 g (0.84 lb)

DS-2CE56D5T-VFIT3

HD180P Outdoor Vari-focal EXIR Turret Camera

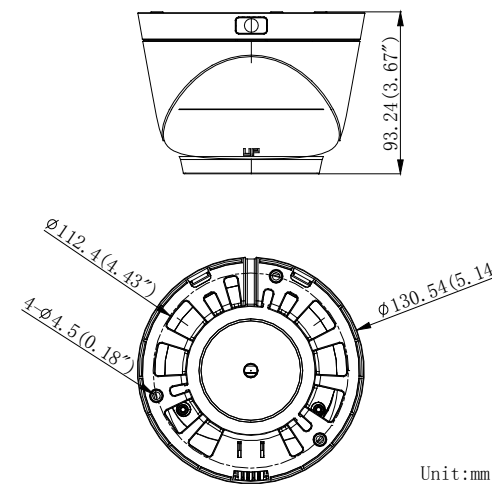


EXIR

Key features

- HD1080P Video Output
- Adopt HDTVI Technology
- True Day/Night
- 2.8 - 12mm vari-focal lens
- OSD menu, 3D DNR, Smart IR
- EXIR technology, 50m IR distance
- Up the Coax(via coaxial cable)

Dimensions



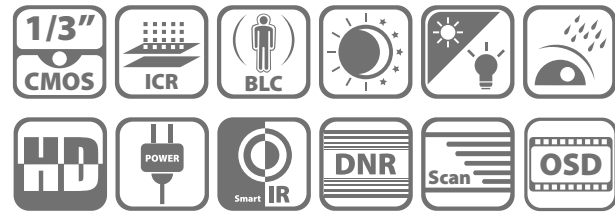
Available model

- DS-2CE56D5T-VFIT3

DS-2CE56D5T-VFIT3	
Camera	
Image Sensor	1 / 3" Progressive Scan CMOS
Signal System	PAL / NTSC
Effective Pixels	1920(H)*1080(V)
Min. Illumination	0.01 Lux @ (F1.2,AGC ON),0 Lux with IR 0.014 Lux @ (F1.4,AGC ON),0 Lux with IR
Shutter speed	1/25(1/30) s to 1/50,000 s
Lens	2.8-12mm @ F1.4 Angle of view: 92° - 32°
Lens Mount	φ14
Angle Adjustment	Pan: 0 - 360°, Tilt: 0 - 90°, Rotation: 0 - 360°
Day & Night	ICR
Synchronization	Internal synchronization
Video Frame Rate	1080p@25fps/1080p@30fps
HD Video Output	1 Analog HD output
CVBS Output	1Vp-p Composite Output(75Ω / BNC)
S / N Ratio	More than 52dB
Menu	
Scene	Indoor, Outdoor, Indoor1, LOW-LIGHT
Camera ID	On/off (15 characters, position programmable)
AGC	Support
D/N Mode	Color/BW/EXT
White Balance	ATW, AWC-SET, Indoor, Outdoor, Manual
Privacy Mask	On/Off, maximum 8 zones
Motion Detection	On/Off, maximum 4 zones
BLC	Support
Anti-flicker	On/off
Language	English, Japanese, CHN1, CHN2, Korean, German, French, Italian, Spanish, Polish, Russian, Portuguese, Dutch, Turkish, Hebrew and Arabic
Function	Eclipse, Digital noise reduction, Digital zoom(62x), Slow shutter, Mirror, Defog, Defect pixel correction, SMART D-ZOOM
General	
Working Temperature / Humidity	-20 °C - 60 °C (-4 °F - 140 °F) Humidity 90% or less (non-condensing)
Power Supply	12 VDC
Power Consumption	Max. 7W
Weather Proof Ratings	IP66
IR Range	Up to 50m
Communication	Up the coax(need UTC controller) Protocol: Pelco-C(Coaxitron)
Dimensions	Φ 130.54 × 93.24 mm (Φ 5.14" × 3.67")
Weight	300 g (0.66 lb)

DS-2CE16D5T-(A)VFIT3

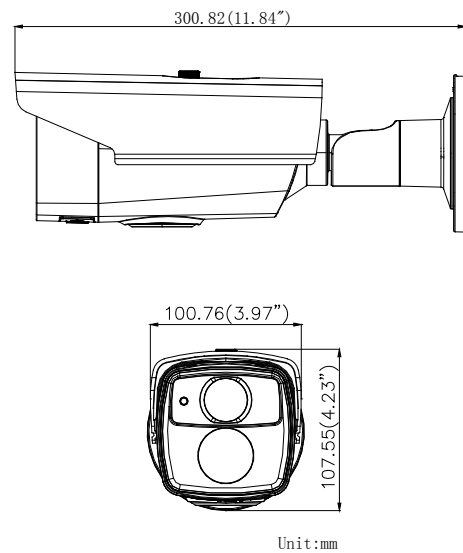
HD1080P Outdoor Vari-focal EXIR Bullet Camera



Key features

- HD1080P Video Output
- Adopt HDTV Technology
- True Day/Night
- 2.8 - 12mm vari-focal lens
- OSD menu, 3D DNR, Smart IR
- Up to 50m IR distance
- Up the Coax(via coaxial cable)

Dimensions



Available model

- DS-2CE16D5T-VFIT3
- DS-2CE16D5T-AVFIT3

DS-2CE16D5T-(A)VFIT3	
Camera	
Image Sensor	1 / 3" Progressive Scan CMOS
Signal System	PAL / NTSC
Effective Pixels	1920(H)*1080(V)
Min. Illumination	0.01 Lux @ (F1.2,AGC ON),0 Lux with IR 0.014 Lux @ (F1.4,AGC ON),0 Lux with IR
Shutter speed	1/25 s to 1/50,000 s
Lens	2.8-12mm @ F1.4 Angle of view: 92° - 32°
Lens Mount	φ14
Day & Night	ICR
Synchronization	Internal synchronization
Video Frame Rate	1080p@25fps/1080p@30fps
HD Video Output	1 Analog HD output
CVBS Output	1Vp-p Composite Output(75Ω / BNC)
S / N Ratio	More than 52dB
Menu	
Scene	Indoor, Outdoor, Indoor1, LOW-LIGHT
Camera ID	On/off (15 characters, position programmable)
AGC	Support
D/N Mode	Color/BW/EXT
White Balance	ATW, AWC-SET, Indoor, Outdoor, Manual
Privacy Mask	On/Off, maximum 8 zones
Motion Detection	On/Off, maximum 4 zones
BLC	Support
Anti-flicker	On/off
Language	English, Japanese, CHN1, CHN2, Korean, German, French, Italian, Spanish, Polish, Russian, Portuguese, Dutch, Turkish, Hebrew and Arabic
Function	Eclipse, Digital noise reduction, Digital zoom(62x), Slow shutter, Mirror, Defog, Defect pixel correction, SMART D-ZOOM
General	
Working Temperature / Humidity	-20 °C - 60 °C (-4 °F - 140 °F) Humidity 90% or less (non-condensing)
Power Supply	12 VDC ; -A: 12 VDC, 24 VAC
Power Consumption	12V DC: Max. 7W ; 24V AC: Max. 10W
Weather Proof Ratings	IP66
IR Range	Up to 50m
Communication	Up the coax(need UTC controller) Protocol: Pelco-C(Coaxitron)
Dimensions	300.82×100.76×107.55mm(11.84"×3.97"×4.23")
Weight	700 g (1.54 lbs)



Hikvision USA

Tel: +1-909-895-0400

Email: sales@hikvisionusa.com

Hikvision Europe

Tel: +31-23-5542770

Email: saleseuro@hikvision.com

Hikvision Middle East

Tel: +971-4-8847628

Email: salesme@hikvision.com

Hikvision Russia

Tel: +7-812-313-19-63

Email: salesru@hikvision.com

Hikvision India

Tel: +91-22-28469900

Email: sales@pramahikvision.com

Hikvision Italy

Tel: +39-0438-6902

Email: info.it@hikvision.com

Hikvision France

Tel: +33(0)1-85-330-450

Email: info.fr@hikvision.com

Hikvision Spain

Tel: +34 91 737 16 55

Email: info.es@hikvision.com

Hikvision Singapore

Tel: +65 6684 4718

Email: sg@hikvision.com

Hikvision Oceania

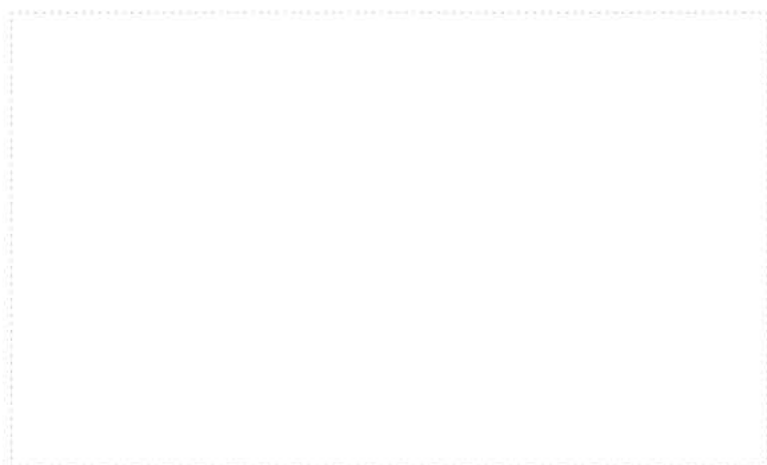
Tel: +61 2 8599 4233

Email: salesau@hikvision.com

Hikvision Hong Kong

Tel: +852-2151-1761

Email: sales@hikvision.com



Headquarters

No.555 Qianmo Road, Binjiang District, Hangzhou, China

Tel: +86-571-8807-5998 Fax: +86-571-8993-5635

Email: overseasbusiness@hikvision.com

Technical Support: support@hikvision.com