

LIGHTFIGHTER  
NETWORK CAMERAS

**HIKVISION**

LIGHTFIGHTER



A FIGHTER KEEPS  
STRONG LIGHT AWAY!

[www.hikvision.com](http://www.hikvision.com)





Hikvision is set to reach new heights in extremely high contrast imaging with the LightFighter series of 2MP SMART IP cameras. These cameras incorporate Hikvision's ultra-high 140 dB WDR technology for exceptional, industry-leading visibility in brightly lit or high contrast environments. The result of this cutting-edge advance is crystal-clear, detail-rich images with true color reproduction in lighting conditions that would defeat conventional WDR cameras.

## KEY FEATURES

### ■ 140dB WDR Technology

The key to the performance of the LightFighter cameras is the industry-leading WDR system that allows the camera to record greater scene details even where the intensity of illumination varies considerably, such as backlighting when very dark and very bright areas appear simultaneously in the field of view. The 140 dB WDR in the LightFighter offers 100 times more powerful enhancement than the 120 dB WDR systems of conventional cameras. LightFighter is particularly suited to intense backlight situations, and is the ideal camera to point towards windows and entrance doors.



Hikvision LightFighter camera



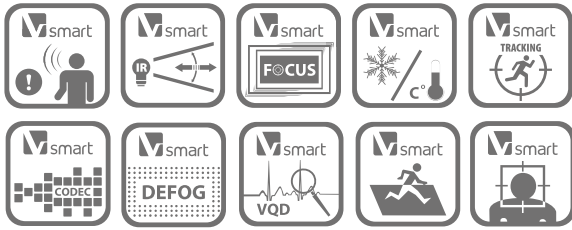
High low-light performance with up to 150m IR arrays



Conventional camera

## Smart Feature-Set

The LightFighter series is engineered with the full range of smart features –intrusion detection, face recognition, line crossing detection, audio exception, smart tracking, defog ability and electronic image stabilization.



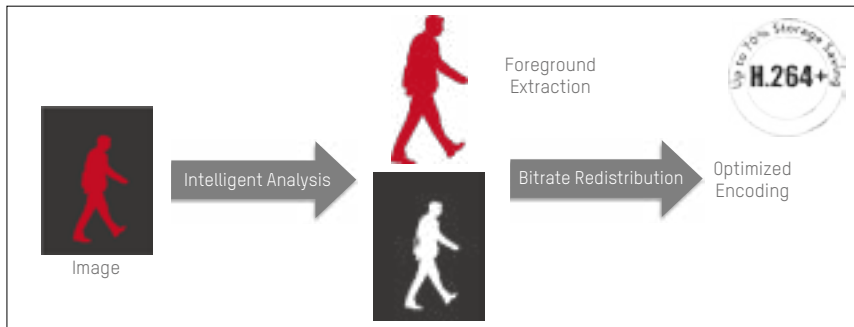
Efficient bandwidth consuming with smart codec

Up to 8-32mm motorized vari-focal lens with smart focus

## SMART CODEC

### H.264+ Optimized Compression

An efficient way to benefit manage super high resolution video footage



In a static nighttime environment, the bitrate of H.264+ can reach up to 50-60Kbps, 10-20x over standard H.264 codec, that not only saves bandwidth resources, but efficiently decreases storage requirements.

- more encoding improvement
- more transmission efficiency
- more storage saving



H.264 [25fps]

H.264+ [25fps]

The moving target is extracted from the static background, using a different codec for each element.

- Background-based Predictive Smart Encoding
- Enhanced Noise Suppression
- Optimized Bitrate Control in Long-term Period

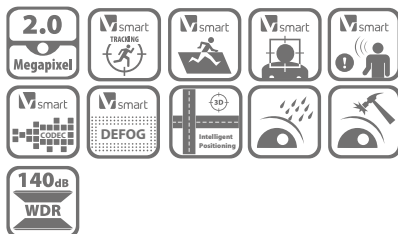
## Complete Product Offering

The LightFighter series consists of 2MP cameras including Smart IP box cameras, outdoor bullet cameras, outdoor dome cameras, and IP PTZ dome cameras with 36X zoom.



# DS-2DF6236V-AEL

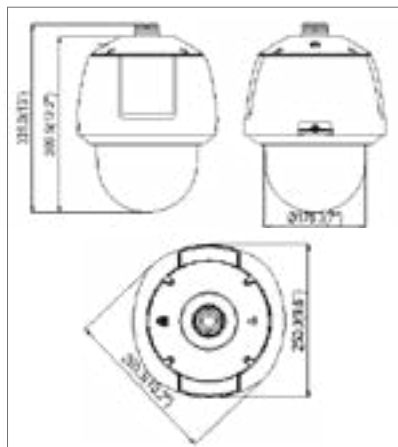
## 2MP 36X Network PTZ Dome Camera



### Key Features

- 1/3" HD CMOS sensor
- 1920×1080 Full HD, 36X Optical Zoom
- 140dB WDR
- Smart Tracking
- Smart Detection
- Hi-POE / 24VAC power supply
- Vandal proof (IK10)

### Dimension (unit: mm)



### Accessories



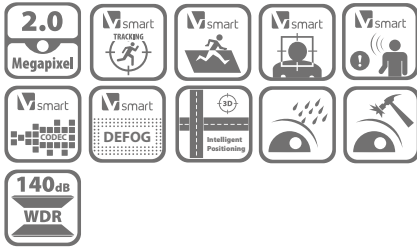
### Order Models

DS-2DF6236V-AEL,  
Hi-POE / 24VAC, outdoor, low temperature

Camera Module	
Image Sensor	1/2.8" Progressive Scan CMOS
Min. Illumination	F1.6, AGC On: Color: 0.05 lux, B/W : 0.01 lux
Max. Image Resolution	1920×1080
Focal Length	4.5-162mm, 36x
Digital Zoom	16X
Zoom Speed	Approx.3.3s(Optical Wide-Tele)
Angle of View	60.6-3.68 degree (Wide-Tele)
Min. Working Distance	10-1500mm(Wide-Tele)
Aperture Range	F1.6-F4.4
Focus Mode	Auto / Semiautomatic / Manual
WDR	140dB
S / N Ratio	≥ 55dB
Shutter Time	50Hz: 1-1/30,000s; 60Hz: 1-1/30,000s
AGC	Auto / Manual
White Balance	Auto / Manual / ATW/Indoor/Outdoor/Daylight lamp/Sodium lamp
Day & Night	IR Cut Filter
Privacy Mask	24 privacy masks programmable
Enhancement	3D DNR, Defog, HLC/BLC, SVC
Pan and Tilt	
Range	Pan:360° endless; Tilt: -15°-90°(Auto Flip)
Speed	Pan Manual Speed: 0.1°-300°/s, Pan Preset Speed: 540°/s Tilt Manual Speed: 0.1°-240°/s, Tilt Preset Speed: 400°/s
Number of Preset	300
Patrol	16 patrols, up to 32 presets per patrol
Pattern	10 patterns, with the recording time not less than 10 minutes per pattern
Park Action	Preset / Patrol / Pattern / Auto scan / Tilt scan / Random scan / Frame scan / Panorama scan
Scheduled Task	Preset / Patrol / Pattern / Auto scan / Tilt scan / Random scan / Frame scan / Panorama scan/Dome reboot/Dome adjust/Aux output
Smart Features	
Smart tracking	Manual/ Panorama/ Intrusion trigger/ Line crossing trigger/ Region entrance trigger/ Region exiting trigger/Smart tracking when patrol between multiple scenarios
Smart detection	Face detection, intrusion detection, line crossing detection, audio exception detection, region entrance, region exiting
ROI encoding	Support 6 areas with adjustable levels
Alarm	
Alarm I/O	7/2
Alarm Trigger	Face detection, Intrusion detection, Line crossing detection, Region entrance, Region exiting, Motion detection, Audio Exception Detection, Dynamic analysis, Tampering alarm, Network disconnect, IP address conflict, Storage exception
Alarm Action	Preset, Patrol, Pattern, Micro SD/SDHC card recording, Relay output, Notification on Client
Input/Output	
Monitor Output	1.0V[p-p] / 75Ω, NTSC (or PAL) composite, BNC
Audio Input	1 Mic in/Line in interface, line input: 2-2.4V[p-p]; output impedance: 1KΩ, ±10%
Audio Output	1 Audio output interface, line level, impedance: 600Ω
Network	
Ethernet	10Base-T / 100Base-TX, RJ45 connector
Main Stream	50Hz: 25fps(1920×1080), 25fps (1280×960) / 50fps(1920×1080), 50fps(1280×960), 50fps(1280×720) 60Hz: 30fps(1920×1080), 30fps (1280×960) / 60fps(1920×1080), 60fps(1280×960), 60fps(1280×720)
Sub Stream	50Hz: 25fps(704×576, 352×288, 176×144); 60Hz: 30fps(704×480, 352×240, 176×120)
Third Stream	50Hz: 25fps(1920×1080, 1280×960, 1280×720, 704×576, 352×288, 176×144) 60Hz: 30fps(1920×1080, 1280×960, 1280×720, 704×480, 352×240, 176×120)
Image Compression	H.264/MJPEG/MPEG4, H.264 encoding with Baseline/Main/High profile
Audio Compression	G.711ulaw/G.711alaw/G.726/MP2L2/G.722
Protocols	IPv4/IPv6, HTTP, HTTPS, 802.1X, QoS, FTP, SMTP, UPnP, SNMP, DNS, DDNS, NTP, RTSP, RTP, TCP, UDP, IGMP, ICMP, DHCP, PPPoE
Simultaneous Live View	Up to 20 users
Mini SD Memory Card	Manual REC / Alarm REC, Built-in Micro SD/SDHC/SDXC card Slot, up to 64GB. Edge recording
User/Host Level	Up to 32 users,3 Levels: Administrator, Operator and User
Security Measures	User authentication (ID and PW); Host authentication (MAC address); IP address filtering
System Integration	
Application programming	Open-ended API, support ONVIF(Profile G), PSIA and CGI, Genetec
Web Browser	IE 7+, Chrome 18+, Firefox 5.0+, Safari 5.02+, support multi-language
RS-485 Protocols	HIKVISION, Pelco-P, Pelco-D, self-adaptive
Power	Hi-PoE 24 VAC, Max.60W
Working Temperature	-40°C ~ 65°C (-40°F ~ 149°F)
Humidity	90% or less
Protection Level	IP66, IK10, TVS 4,000V lightning protection, surge protection and voltage transient protection
Certification	FCC, CE, UL, RoHS, IEC/EN 61000, IEC/EN 55022, IEC/EN 55024, IEC/EN60950-1
Dimensions	Φ178.3(mm)×331.0(mm) (Φ7.02"×13.03")
Weight (approx.)	8kg (approx.)

# DS-2DF8236IV-AEL

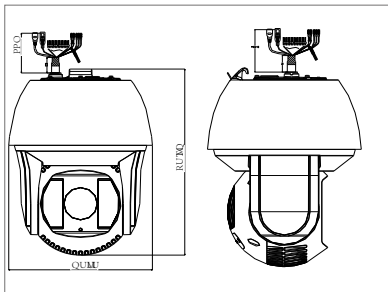
## 2MP 36X Network IR PTZ Dome Camera



### Key Features

- 1/3" HD CMOS sensor
- 1920×1080P Full HD, 36X Optical Zoom
- 140dB WDR
- Smart Tracking
- Smart Detection
- 200m IR distance
- Hi-PoE / 24VAC power supply
- Vandal proof(IK10)

### Dimension (unit: mm)



### Accessories



### Order Models

DS-2DF8236IV-AEL  
Hi-PoE / 24VAC, outdoor, low temperature

Camera Module	
Image Sensor	1/3" Progressive Scan CMOS
Min. Illumination	F1.6, AGC On: Color : 0.05 lux , B/W : 0.01 lux, 0 lux with IR
Max. Image Resolution	1920×1080
Focal Length	4.5-162mm, 36x
Digital Zoom	16X
Zoom Speed	Approx.3.3s(Optical Wide-Tele)
Angle of View	60.6-3.68 degree (Wide-Tele)
Min. Working Distance	10-1500mm(Wide-Tele)
Aperture Range	F1.6-F4.4
Focus Mode	Auto / Semiautomatic / Manual
WDR	140dB
S / N Ratio	≥ 55dB
Shutter Time	50Hz: 1-1/30,000s; 60Hz: 1-1/30,000s
AGC	Auto / Manual
White Balance	Auto / Manual /ATW/Indoor/Outdoor/Daylight lamp/Sodium lamp
Day & Night	IR Cut Filter
Privacy Mask	8 privacy masks programmable; optional multiple colors
Enhancement	3D DNR, Defog, HLC/BLC, SVC
Pan and Tilt	
Range	Pan:360° endless; Tilt: -20°-90°(Auto Flip)
Speed	Pan Manual Speed: 0.1°-160°/s, Pan Preset Speed: 240°/s Tilt Manual Speed: 0.1°-120°/s, Tilt Preset Speed: 200°/s
Number of Preset	300
Patrol	16 patrols, up to 32 presets per patrol
Pattern	10 patterns, with the recording time not less than 10 minutes per pattern
Park Action	Preset / Patrol / Pattern / Auto scan / Tilt scan / Random scan / Frame scan / Panorama scan
Scheduled Task	Preset / Patrol / Pattern / Auto scan / Tilt scan / Random scan / Frame scan / Panorama scan/Dome reboot/Dome adjust/Aux output
Smart Features	
Smart tracking	Manual/ Panorama/ Intrusion trigger/ Line crossing trigger / Region entrance trigger / Region exiting trigger
Smart detection	Face detection, intrusion detection, line crossing detection, audio exception detection, region entrance, region exiting
ROI encoding	Support 24 areas with adjustable levels
Infrared	
IR Distance	Up to 200m
IR Intensity	Automatically adjusted, depending on the zoom ratio
Alarm	
Alarm I/O	7/2
Alarm Trigger	Face detection, Intrusion detection, Line crossing detection, Region entrance, Region exiting, Audio exception detection, Motion detection, Audio Exception Detection, Dynamic analysis, Tampering alarm, Network disconnect, IP address conflict, Storage exception
Alarm Action	Preset, Patrol, Pattern, Micro SD/SDHC card recording, Relay output, Notification on Client
Input/Output	
Monitor Output	1.0V[p-p] / 75Ω, NTSC (or PAL) composite, BNC
Audio Input	1 Mic in/Line in interface, line input: 2-2.4V[p-p]; output impedance: 1KΩ, ±10%
Audio Output	1 Audio output interface, line level, impedance: 600Ω
Network	
Ethernet	10Base-T / 100Base-TX, RJ45 connector
Main Stream	50Hz: 25fps(1920×1080, 1280×960, 1280×720); 60Hz: 30fps(1920×1080, 1280×960, 1280×720)
Sub Stream	50Hz: 25fps(704×576, 352×288, 176×144); 60Hz: 30fps(704×480, 352×240, 176×120)
Third Stream	50Hz: 25fps(1920×1080, 1280×960, 1280×720, 704×576, 352×288, 176×144) 60Hz: 30fps(1920×1080, 1280×960, 1280×720, 704×480, 352×240, 176×120)
Image Compression	H.264/MJPEG/MPEG4, H.264 encoding with Baseline/Main/High profile
Audio Compression	G.711ulaw/G.711alaw/G.726/MP2L2/G.722
Protocols	IPv4/IPv6, HTTP, HTTPS, 802.1X, QoS, FTP, SMTP, UPnP, SNMP, DNS, DDNS, NTP, RTSP, RTP, TCP, UDP, IGMP, ICMP, DHCP, PPPoE
Simultaneous Live View	Up to 20 users
Mini SD Memory Card	Manual REC / Alarm REC. Built-in Micro SD/SDHC/SDXC card Slot, up to 64GB. Edge recording
User/Host Level	Up to 32 users,3 Levels: Administrator, Operator and User
Security Measures	User authentication (ID and PW); Host authentication (MAC address); IP address filtering
System Integration	
Application programming	Open-ended API, support ONVIF, PSIA and CGI, Genetec
Web Browser	IE 7+, Chrome 18+, Firefox 5.0+, Safari 5.02+, support multi-language
RS-485 Protocols	HIKVISION, Pelco-P, Pelco-D, self-adaptive
Power	Hi-PoES24 VAC, Max.60W
Working Temperature	-40°C - 65°C (-40°F - 149°F)
Humidity	90% or less
Protection Level	IP66, IK10, TVS 6,000V lightning protection, surge protection and voltage transient protection
Certification	FCC, CE, UL, RoHS, IEC/EN 61000, IEC/EN 55022, IEC/EN 55024, IEC /EN60950-1
Dimensions	Φ266.6(mm)×365.2(mm)
Weight (approx.)	8kg





# DS-2CD4A25FWD-IZ(H)(S)



## 2MP Smart IP Outdoor Bullet Camera



<b>Camera</b>	
Image Sensor	1/2.8" Progressive Scan CMOS
Min. Illumination	0.005 Lux @ (F1.2, AGC ON), 0 lux with IR 0.007 Lux @ (F1.4, AGC ON), 0 lux with IR
Shutter Speed	1 s to 1/100,000 s
Slow Shutter	Support
Lens	2.8-12mm @ F1.4 angle of view: 113°-33.8°; 8-32mm @ F1.4 angle of view: 31.2°-10.2°
Lens Mount	AF automatic focusing and motorized zoom lens
Auto-iris	DC drive
Day & Night	IR Cut Filter with auto switch
WDR	140dB

<b>Compression standard</b>	
Video Compression	H.264/ MJPEG
H.264 Type	Baseline Profile / Main Profile / High Profile
Video Bit Rate	32 Kbps - 16 Mbps
Audio Compression	G.711/G.722.1/G.726/MP2L2
Audio Bit Rate	64Kbps(G.711) / 16Kbps(G.722.1) / 16Kbps(G.726) / 32-128Kbps(MP2L2)

<b>Image</b>	
Max. Resolution	1920 × 1080
Main Stream	50Hz: 50fps (1920 × 1080) / (1280 × 960) / (1280 × 720) 60Hz: 60fps (1920 × 1080) / (1280 × 960) / (1280 × 720)
Third Stream	Independent with Main Stream and Sub Stream, up to 50Hz: 20fps(1280x720) ; 60Hz: 30fps (1920 × 1080)
Image Enhancement	BLC/HLC/3D DNR/ROI/Defog
Image Setting	Rotate Mode, Saturation, Brightness, Contrast, Sharpness adjustable by client software or web browser
Distortion Correction	Support
Regional Cropping	Support
Day/Night Switch	Auto/Schedule/Triggered by Alarm In
Picture Overlay	LOGO picture can be overlaid on video with 128x128 24bit bmp format

<b>Network</b>	
Network Storage	NAS (Support NFS,SMB/CIFS), ANR
Alarm Trigger	Motion detection, Tampering alarm, Network disconnect, IP address conflict, Storage exception
Protocols	TCP/IP, ICMP, HTTP, HTTPS, FTP, DHCP, DNS, DDNS, RTP, RTSP, RTPC, PPPoE, NTP, UPnP, SMTP, SNMP, IGMP, 802.1X, QoS, IPv6, Bonjour
Security	User Authentication, Watermark, IP address filtering, Anonymous access
Standard	ONVIF(PROFILE S,PROFILE G),PSIA,CGI,ISAPI

<b>Interface</b>	
Audio (-S)	1-ch 3.5 mm audio in (Mic in/Line in)/out interface
Communication Interface	1 RJ45 10M/100M/1000M Ethernet port
Alarm (-S)	1 input, 1 output (up to DC24V 1A or AC110V 500mA)
Video Output (-S)	1Vp-p composite output (75 Ω/BNC)
On-board storage	Built-in Micro SD/SDHC/SDXC slot, up to 128 GB
Reset Button	Yes

<b>Audio (-S)</b>	
Environment Noise Filtering	Support
Audio I/O	Support dual audio track, stereo
Audio Sampling Rate	16kHz / 32kHz / 44.1kHz / 48kHz

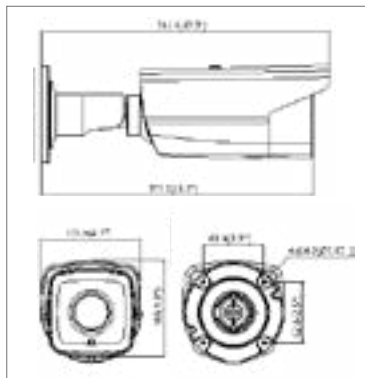
<b>Smart Feature-set</b>	
Behavior Analysis	Line crossing detection, Intrusion detection, Region entrance, Region exiting, Unattended baggage, Object removal
Line Crossing Detection	Cross a pre-defined virtual line
Intrusion Detection	Enter and loiter in a pre-defined virtual region
Region Entrance	Enter a pre-defined virtual region from the outside place
Region Exiting	Exit from a pre-defined virtual region
Unattended Baggage	Objects left over in the pre-defined region such as the baggage, purse, dangerous materials
Object Removal	Objects removed from the pre-defined region, such as the exhibits on display.
Exception Detections	Scene change detection, Sudden audio increase/decrease detection, Audio loss detection, Defocus detection
Recognition	Face detection recognition
Statistics	Object Counting (Entrance and Exit object number is accounted and showed on screen in real time)

<b>General</b>	
Protection Level	IP67
IR Distance	50m(2.8-12mm)/100m(8-32mm)
Operating Conditions	-30 °C - 60 °C (-22 °F - 140 °F), Humidity 95% or less (non-condensing), -H: -40 °C - 60 °C
Power Supply	12 V DC ± 10%, PoE (802.3at)
Power Consumption	Max. 12W, -H: 18W Max
Dimensions	100×103.9×311.8mm (3.94" × 4.09" × 12.28")
Weight	2000 g (4.41 lbs)

### Key Features

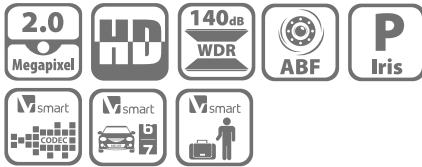
- 1/2.8" Progressive Scan CMOS
- 1080p @ 60fps frame rate
- High light environment
- Slow shutter
- 140dB WDR
- 3D DNR
- -H: smart heater
- -S: Audio/Alarm IO
- Support 128G on-board storage
- DC12V/PoE(802.3at)

### Dimension (unit: mm)



### Order Models

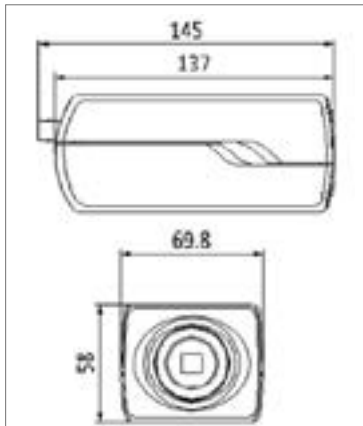
- DS-2CD4A25FWD-IZ
- DS-2CD4A25FWD-IZS
- DS-2CD4A25FWD-IZH
- DS-2CD4A25FWD-IZHS



### Key Features

- 1/2.8" Progressive Scan CMOS
- 1080p @ 60fps frame rate
- High light environment
- Slow shutter
- 140dB WDR
- 3D DNR
- -A: Auto Back Focus
- -P: P-Iris
- Audio/Alarm IO
- Support 128G on-board storage
- DC12V/AC24V/PoE(802.3af)

### Dimension (unit: mm)



### Order Models

- DS-2CD4025FWD
- DS-2CD4025FWD-A
- DS-2CD4025FWD-P
- DS-2CD4025FWD-AP

Camera	
Image Sensor	1/2.8" Progressive Scan CMOS
Min. illumination	Color: 0.005 Lux @ (F1.2, AGC ON) ; B/W: 0.0005 Lux @ (F1.2, AGC ON)
Shutter Speed	1 s to 1/100,000 s
Slow Shutter	Support
Lens Mount	C/CS mount
Auto-iris	DC drive(-P: support P-Iris)
Day & Night	IR cut filter with auto switch
Wide Dynamic Range	140dB
Focus	-A: support ABF
Compression standard	
Video Compression	H.264+/H.264/MJPEG
H.264 Type	Baseline Profile / Main Profile / High Profile
Video Bit Rate	32 Kbps - 16 Mbps
Audio Compression	G.711/G.722.1/G.726/MP2L2
Audio Bit Rate	64Kbps(G.711) / 16Kbps(G.722.1) / 16Kbps(G.726) / 32-128Kbps(MP2L2)
Image	
Max. Resolution	1920 × 1080
Main Stream	50Hz: 50fps (1920 × 1080) / (1280 × 960) / (1280 × 720) 60Hz: 60fps (1920 × 1080) / (1280 × 960) / (1280 × 720)
Third Stream	Independent with Main Stream and Sub Stream, up to 50/60Hz: 20fps(1280 × 720)
Image Enhancement	BLC/HLC/3D DNR/ROI/Defog
Image Setting	Rotate Mode, Saturation, Brightness, Contrast adjustable by client software or web browser
Regional Cropping	Support
Day/Night Switch	Auto/Schedule/Triggered by Alarm In
Picture Overlay	LOGO picture can be overlaid on video with 128x128 24bit bmp format
Network	
Network Storage	NAS (Support NFS,SMB/CIFS), ANR
Alarm Trigger	Motion detection, Tampering alarm, Network disconnect, IP address conflict, Storage exception
Protocols	TCP/IP,UDP, ICMP, HTTP, HTTPS, FTP, DHCP, DNS, DDNS, RTP, RTSP, RTCP, PPPoE, NTP, UPnP, SMTP, SNMP, IGMP, 802.1X, QoS, IPv6, Bonjour
Security	User Authentication, Watermark, IP address filtering, Anonymous access
Standard	ONVIF(PROFILE S,PROFILE G),PSIA,CGI,ISAPI
Interface	
Audio	1-ch 3.5 mm audio in (Mic in/Line in)/out interface, 1 build-in Microphone
Communication Interface	1 RJ45 10M/100M/1000M Ethernet port, 1 RS-485 interface and 1 RS-232 interface
Alarm	1 input, 1 output (up to DC24V 1A or AC110V 500mA)
Video Output	1Vp-p composite output (75 Ω/BNC)
On-board storage	Built-in Micro SD/SDHC/SDXC slot, up to 128 GB
Reset Button	Yes
Audio	
Environment Noise Filtering	Support
Audio I/O	Support dual audio track, stereo
Audio Sampling Rate	16kHz / 32kHz / 44.1kHz / 48kHz
Smart Feature-set	
Behavior Analysis	Line crossing detection, Intrusion detection, Region entrance, Region exiting, Unattended baggage, Object removal
Line Crossing Detection	Cross a pre-defined virtual line
Intrusion Detection	Enter and loiter in a pre-defined virtual region
Region Entrance	Enter a pre-defined virtual region from the outside place
Region Exiting	Exit from a pre-defined virtual region
Unattended Baggage	Objects left over in the pre-defined region such as the baggage, purse, dangerous materials
Object Removal	Objects removed from the pre-defined region, such as the exhibits on display.
Exception Detections	Scene change detection, Sudden audio increase/decrease detection, Audio loss detection, Defocus detection
Recognition	Face detection recognition
Statistics	Object Counting (Entrance and Exit object number is accounted and showed on screen in real time)
General	
Operating Conditions	-30 °C - 60 °C (-22 °F - 140 °F), Humidity 95% or less (non-condensing)
Power Supply	24 V AC ± 10%, 12 V DC ± 10%, PoE (802.3af)
Power Consumption	Max. 6 W (Max. 9W with IR cut filter on)
Dimensions	69.8×58×145 mm (2.75" × 2.28" × 5.71")
Weight	830 g (1.83 lbs)





# DS-2CD4125FWD-IZ

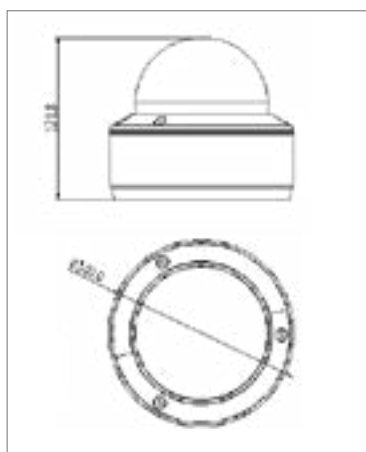
## 2MP Smart IP Indoor Dome Camera



### Key Features

- 1/2.8" Progressive Scan CMOS
- 1080p @ 60fps frame rate
- High light environment
- Slow shutter
- 140dB WDR
- 3D DNR
- Audio/Alarm IO
- Support 128G on-board storage
- DC12V/PoE(802.3af)

### Dimension (unit: mm)



### Order Models

DS-2CD4125FWD-IZ

<b>Camera</b>	
Image Sensor	1/2.8" Progressive Scan CMOS
Min. Illumination	0.005 Lux @ (F1.2, AGC ON), 0 lux with IR 0.007 Lux @ (F1.4, AGC ON), 0 lux with IR
Shutter Speed	1 s to 1/100,000 s
Slow Shutter	Support
Lens	2.8-12mm @ F1.4, angle of view: 113-33.8°
Lens Mount	Ø14
Angle Adjustment	Pan:0° - 355°, Tilt: 0° - 75°, Rotation: 0° - 355°
Auto-iris	DC drive
Day & Night	Electronic (-: IR cut filter with auto switch)
Digital Noise Reduction	3D DNR
Wide Dynamic Range	140dB
<b>Compression standard</b>	
Video Compression	H.264/MJPEG
H.264 Type	Baseline Profile / Main Profile / High Profile
Video Bit Rate	32 Kbps - 16 Mbps
Audio Compression	G.711/G.722.1/G.726/MP2L2
Audio Bit Rate	64Kbps(G.711) / 16Kbps(G.722.1) / 16Kbps(G.726) / 32-128Kbps(MP2L2)
<b>Image</b>	
Max. Resolution	1920 × 1080
Frame Rate	50Hz: 50fps (1920 × 1080) / (1280 × 960) / (1280 × 720) 60Hz: 60fps (1920 × 1080) / (1280 × 960) / (1280 × 720)
Third Stream	Independent with Main Stream and Sub Stream, up to 50/60Hz: 20fps(1280 × 720)
Image Enhancement	BLC/HLC/3D DNR/ROI/Defog
Image Setting	Rotate Mode, Saturation, Brightness, Contrast, Sharpness adjustable by client software or web browser
Distortion Correction	Support
Regional Cropping	Support
Day/Night Switch	Auto/Schedule/Triggered by Alarm In
Picture Overlay	LOGO picture can be overlaid on video with 128x128 24bit bmp format
<b>Network</b>	
Network Storage	NAS (Support NFS,SMB/CIFS), ANR
Alarm Trigger	Motion detection, Tampering alarm, Network disconnect, IP address conflict, Storage exception
Protocols	TCP/IP, UDP, ICMP, HTTP, HTTPS, FTP, DHCP, DNS, DDNS, RTP, RTSP, RTCP, PPPoE, NTP, UPnP, SMTP, SNMP, IGMP, 802.1X, QoS, IPv6, Bonjour
Security	User Authentication, Watermark, IP address filtering, Anonymous access
Standard	ONVIF(PROFILE S,PROFILE G),PSIA,CGI,ISAPI
<b>Interface</b>	
Audio	1-ch 3.5 mm audio in (Mic in/Line in)/out interface
Communication Interface	1 RJ45 10M/100M/1000M Ethernet port, 1 RS-485 interface
Alarm	1 input, 1 output (up to DC24V 1A or AC110V 500mA )
Video Output	1Vp-p composite output (75 Ω/BNC)
On-board storage	Built-in Micro SD/SDHC/SDXC slot, up to 128 GB
Reset Button	Yes
<b>Audio</b>	
Environment Noise Filtering	Support
Audio I/O	Support dual audio track, stereo
Audio Sampling Rate	16kHz / 32kHz / 44.1kHz / 48kHz
<b>Smart Feature-set</b>	
Behavior Analysis	Line crossing detection, Intrusion detection, Region entrance, Region exiting, Unattended baggage, Object removal
Line Crossing Detection	Cross a pre-defined virtual line
Intrusion Detection	Enter and loiter in a pre-defined virtual region
Region Entrance	Enter a pre-defined virtual region from the outside place
Region Exiting	Exit from a pre-defined virtual region
Unattended Baggage	Objects left over in the pre-defined region such as the baggage, purse, dangerous materials
Object Removal	Objects removed from the pre-defined region, such as the exhibits on display.
Exception Detections	Scene change detection, Sudden audio increase/decrease detection, Audio loss detection, Defocus detection
Recognition	Face detection recognition
Statistics	Object Counting (Entrance and Exit object number is accounted and showed on screen in real time)
<b>General</b>	
Impact Protection	IK10
IR Distance	30m
Operating Conditions	-30 °C - 60 °C (-22 °F - 140 °F), Humidity 95% or less (non-condensing)
Power Supply	12 V DC ± 10%, PoE (802.3af)
Power Consumption	Max. 6 W (Max. 9W, IR: 2W, motorized VF lens: 1W)
Dimensions	Ø 140 × 121.8 mm (Ø 5.51" × 4.80")
Weight	1400 g (3.09 lbs)

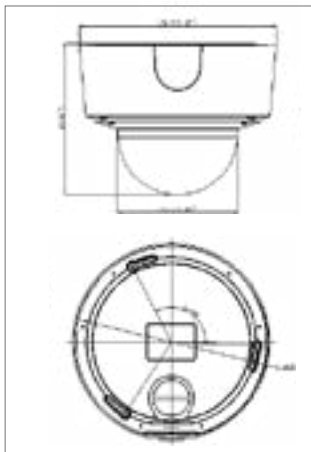
## 2MP Smart IP Outdoor Dome Camera



### Key Features

- 1/2.8" Progressive Scan CMOS
- 1080p @ 60fps frame rate
- High light environment
- Slow shutter
- 140dB WDR
- 3D DNR
- -H: smart heater
- Support 128G on-board storage
- DC12V/AC24V/PoE

### Dimension (unit: mm)



### Order Models

DS-2CD4525FWD-IZ

DS-2CD4525FWD-IZH

<b>Camera</b>	
Image Sensor	1/2.8" Progressive Scan CMOS
Min. Illumination	0.005 Lux @ (F1.2, AGC ON), 0 lux with IR 0.007 Lux @ (F1.4, AGC ON), 0 lux with IR
Shutter Speed	1 s to 1/100,000 s
Slow Shutter	Support
Lens	2.8-12mm @ F1.4, angle of view: 113-33.8°. 8-32mm @ F1.4, angle of view: 31.2-10.2°
Lens Mount	AF automatic focusing and motorized zoom lens
Auto-iris	DC drive
Day & Night	IR Cut Filter with auto switch
WDR	140dB
<b>Compression standard</b>	
Video Compression	H.264+/H.264/MJPEG
H.264 Type	Baseline Profile / Main Profile / High Profile
Video Bit Rate	32 Kbps - 16 Mbps
Audio Compression	G.711/G.722.1/G.726/MP2L2
Audio Bit Rate	64Kbps(G.711) / 16Kbps(G.722.1) / 16Kbps(G.726) / 32-128Kbps(MP2L2)
<b>Image</b>	
Max. Resolution	1920 × 1080
Frame Rate	50Hz: 50fps (1920 × 1080) / (1280 × 960) / (1280 × 720) 60Hz: 60fps (1920 × 1080) / (1280 × 960) / (1280 × 720)
Third Stream	Independent with Main Stream and Sub Stream, up to 50/60Hz: 20fps(1280 x 720)
Image Enhancement	BLC/HLC/3D DNR/ROI/Defog
Image Setting	Rotate Mode, Saturation, Brightness, Contrast, Sharpness adjustable by client software or web browser
Distortion Correction	Support
Regional Cropping	Support
Day/Night Switch	Auto/Schedule/Triggered by Alarm In
Picture Overlay	LOGO picture can be overlaid on video with 128x128 24bit bmp format
<b>Network</b>	
Network Storage	NAS (Support NFS,SMB/CIFS), ANR
Alarm Trigger	Motion detection, Tampering alarm, Network disconnect, IP address conflict, Storage exception
Protocols	TCP/IP, UDP, ICMP, HTTP, HTTPS, FTP, DHCP, DNS, DDNS, RTP, RTSP, RTCP, PPPoE, NTP, UPnP, SMTP, SNMP, IGMP, 802.1X, QoS, IPv6, Bonjour
Security Standard	User Authentication, Watermark, IP address filtering, Anonymous access ONVIF(PROFILE S,PROFILE G),PSIA,CGI,ISAPI
<b>Interface</b>	
Audio	1-ch audio in (Mic in/Line in)/out interface
Communication Interface	1 RJ45 10M/100M Ethernet port, 1 RS-485 interface
Alarm	1 input, 1 output (up to DC24V 1A or AC110V 500mA)
Video Output	1Vp-p composite output (75 Ω/BNC)
On-board storage	Built-in Micro SD/SDHC/SDXC slot, up to 128 GB
Reset Button	Yes
<b>Audio</b>	
Environment Noise Filtering	Support
Audio I/O	Support dual audio track, stereo
Audio Sampling Rate	16kHz / 32kHz / 44.1kHz / 48kHz
<b>Smart Feature-set</b>	
Behavior Analysis	Line crossing detection, Intrusion detection, Region entrance, Region exiting, Unattended baggage, Object removal
Line Crossing Detection	Cross a pre-defined virtual line
Intrusion Detection	Enter and loiter in a pre-defined virtual region
Region Entrance	Enter a pre-defined virtual region from the outside place
Region Exiting	Exit from a pre-defined virtual region
Unattended Baggage	Objects left over in the pre-defined region such as the baggage, purse, dangerous materials
Object Removal	Objects removed from the pre-defined region, such as the exhibits on display.
Exception Detections	Scene change detection, Sudden audio increase/decrease detection, Audio loss detection, Defocus detection
Recognition	Face detection recognition
Statistics	Object Counting (Entrance and Exit object number is accounted and showed on screen in real time)
<b>General</b>	
Protection Level	IP66
Impact Protection	IK10
IR Distance	40m(2.8-12mm)/50m(8-32mm)
Operating Conditions	-30 °C - 60 °C (-22 °F - 140 °F), Humidity 95% or less (non-condensing), -H: -40 °C - 60 °C
Power Supply	DC12V/AC24V/PoE(802.3af), -H: DC12V/AC24V/PoE(802.3at)
Power Consumption	Max. 12 W [Max. 17 W with heater on]
Dimensions	Φ164.9 × 127 mm(Φ6.49" × 5")
Weight	2100 g (4.63 lbs)



# DS-2CD4625FWD-IZ (H)(S)

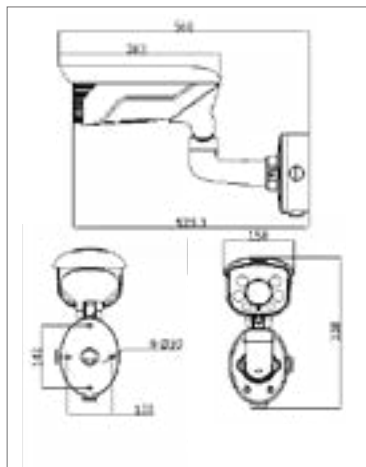


## 2MP Smart IP Vandal-proof Bullet Camera

### Key Features

- 1/2.8" Progressive Scan CMOS
- 1080p @ 60fps frame rate
- High light environment
- Slow shutter
- 140dB WDR
- 3D DNR
- -S: Audio/Alarm IO
- -H: Build-in Heater
- Support 128G on-board storage
- AC24V/PoE(802.3at)

### Dimension (unit: mm)



### Order Models

- DS-2CD4625FWD-IZ
- DS-2CD4625FWD-IZS
- DS-2CD4625FWD-IZH
- DS-2CD4625FWD-IZHS

Camera	
Image Sensor	1/2.8" Progressive Scan CMOS
Min. Illumination	0.005 Lux @ (F1.2, AGC ON), 0 lux with IR 0.007 Lux @ (F1.4, AGC ON), 0 lux with IR
Shutter Speed	1 s to 1/100,000 s
Slow Shutter	Support
Lens	2.8-12mm @ F1.4, angle of view: 113-33.8°; 8-32mm @ F1.4, angle of view: 31.2-10.2°
Lens Mount	AF automatic focusing and motorized zoom lens
Auto-iris	DC drive
Day & Night	IR Cut Filter with auto switch
WDR	140dB
Compression standard	
Video Compression	H.264+/H.264/MJPEG
H.264 Type	Baseline Profile / Main Profile / High Profile
Video Bit Rate	32 Kbps - 16 Mbps
Audio Compression	G.711/G.722.1/G.726/MP2L2
Audio Bit Rate	64Kbps(G.711) / 16Kbps(G.722.1) / 16Kbps(G.726) / 32-128Kbps(MP2L2)
Image	
Max. Resolution	1920 × 1080
Main Stream	50Hz: 50fps (1920 × 1080) / (1280 × 960) / (1280 × 720) 60Hz: 60fps (1920 × 1080) / (1280 × 960) / (1280 × 720)
Third Stream	Independent with Main Stream and Sub Stream, up to 50/60Hz: 20fps(1280 × 720)
Image Enhancement	BLC/HLC/3D DNR/ROI/Defog
Image Setting	Rotate Mode, Saturation, Brightness, Contrast, Sharpness adjustable by client software or web browser
Distortion Correction	Support
Regional Cropping	Support
Day/Night Switch	Auto/Schedule/Triggered by Alarm In
Picture Overlay	LOGO picture can be overlaid on video with 128x128 24bit bmp format
Network	
Network Storage	NAS (Support NFS,SMB/CIFS), ANR
Alarm Trigger	Motion detection, Tampering alarm, Network disconnect, IP address conflict, Storage exception
Protocols	TCP/IP, UDP, ICMP, HTTP, HTTPS, FTP, DHCP, DNS, DDNS, RTP, RTSP, RTCP, PPPoE, NTP, UPnP, SMTP, SNMP, IGMP, 802.1X, QoS, IPv6, Bonjour
Security	User Authentication, Watermark, IP address filtering, Anonymous access
Standard	ONVIF(PROFILE S,PROFILE G),PSIA,C6I,ISAPI
Communication Interface	1 RJ45 10M/100M/1000M Ethernet interface
Interface	
Audio (-S)	1-ch 3.5 mm audio in (Mic in/Line in)/out interface
Communication Interface	1 RJ45 10M/100M/1000M Ethernet port, 1 RS 485 interface (-S)
Alarm (-S)	1 input, 1 output (up to DC24V 1A or AC110V 500mA )
On-board storage	Built-in Micro SD/SDHC/SDXC slot, up to 128 GB
Reset Button	Yes
Audio (-S)	
Environment Noise Filtering	Support
Audio I/O	Support dual audio track, stereo
Audio Sampling Rate	16kHz / 32kHz / 44.1kHz / 48kHz
Audio (-S)	
Behavior Analysis	Line crossing detection, Intrusion detection, Region entrance, Region exiting, Unattended baggage, Object removal
Line Crossing Detection	Cross a pre-defined virtual line
Intrusion Detection	Enter and loiter in a pre-defined virtual region
Region Entrance	Enter a pre-defined virtual region from the outside place
Region Exiting	Exit from a pre-defined virtual region
Unattended Baggage	Objects left over in the pre-defined region such as the baggage, purse, dangerous materials
Object Removal	Objects removed from the pre-defined region, such as the exhibits on display.
Exception Detections	Scene change detection, Sudden audio increase/decrease detection, Audio loss detection, Defocus detection
Recognition	Face detection recognition
Statistics	Object Counting (Entrance and Exit object number is accounted and showed on screen in real time)
General	
Protection Level	IP66
Impact Protection	IK10
IR Distance	70m(2.8-12mm)/150m(8-32mm)
Operating Conditions	-30 °C - 60 °C (-22 °F - 140 °F), Humidity 95% or less (non-condensing), -H: -40 °C - 60 °C
Power Supply	24 V AC ± 10%, PoE (802.3at)
Power Consumption	Max. 24 W
Dimensions	158×338×560 mm (6.22" ×13.31" × 22.05")
Weight	6200 g (13.67 lbs)



## LIGHTFIGHTER NETWORK CAMERAS



Distributed by



### Headquarters

No.555 Qiermo Road, Binjiang District,  
Hangzhou 310051, China  
T +86-571-8907-5098  
overseasbusiness@hikvision.com

Hikvision Poland  
T +48-22-460-01-30  
poland@hikvision.com

Hikvision USA  
T +1-909-896-0400  
sales.usa@hikvision.com

Hikvision India  
T +91-22-28469900  
sales@pramahikvision.com

Hikvision UK  
T +44-1629-9021-4  
support.uk@hikvision.com

Hikvision Europe  
T +31-23-5542770  
saleseuro@hikvision.com

Hikvision Italy  
T +39-0438-59327  
info.it@hikvision.com

Hikvision Singapore  
T +65-6884-4718  
sg@hikvision.com

Hikvision Middle East  
T +971-4-8810086  
salesme@hikvision.com

Hikvision France  
T +33011-86-330-444  
info.fr@hikvision.com

Hikvision Oceania  
T +61-2-8599-4233  
salesau@hikvision.com

Hikvision Russia  
T +7-495-669-67-88  
salesru@hikvision.com

Hikvision Spain  
T +34-91-737-16-55  
info.es@hikvision.com

Hikvision Hong Kong  
T +852-2151-1761